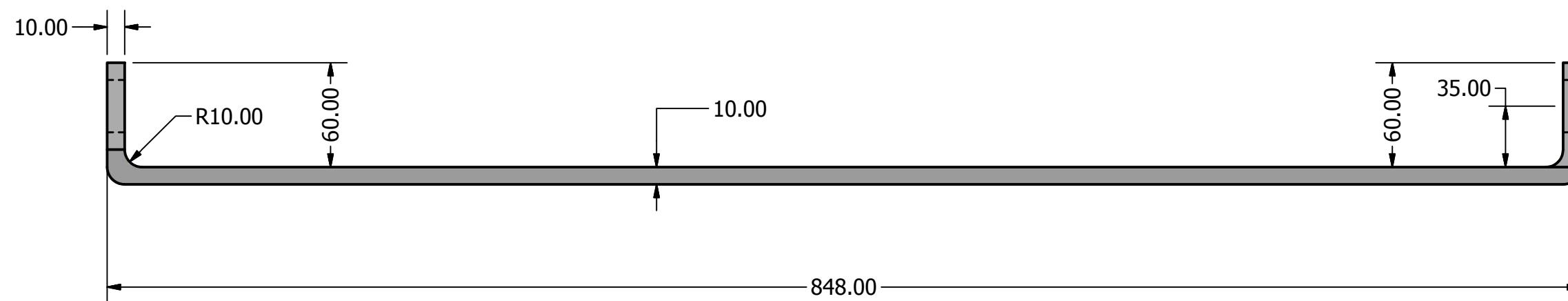
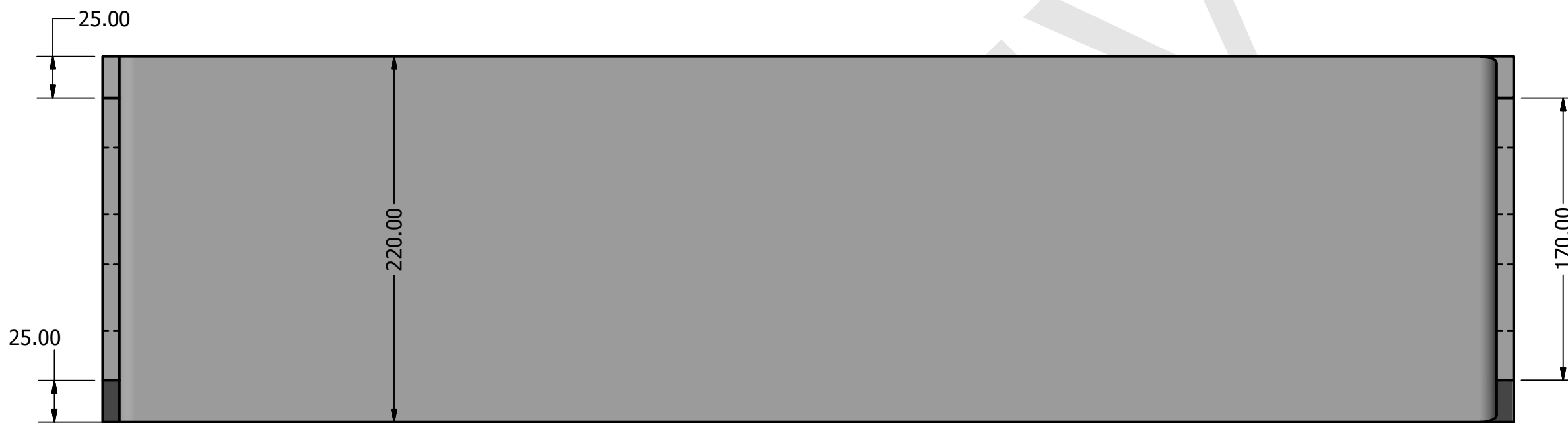
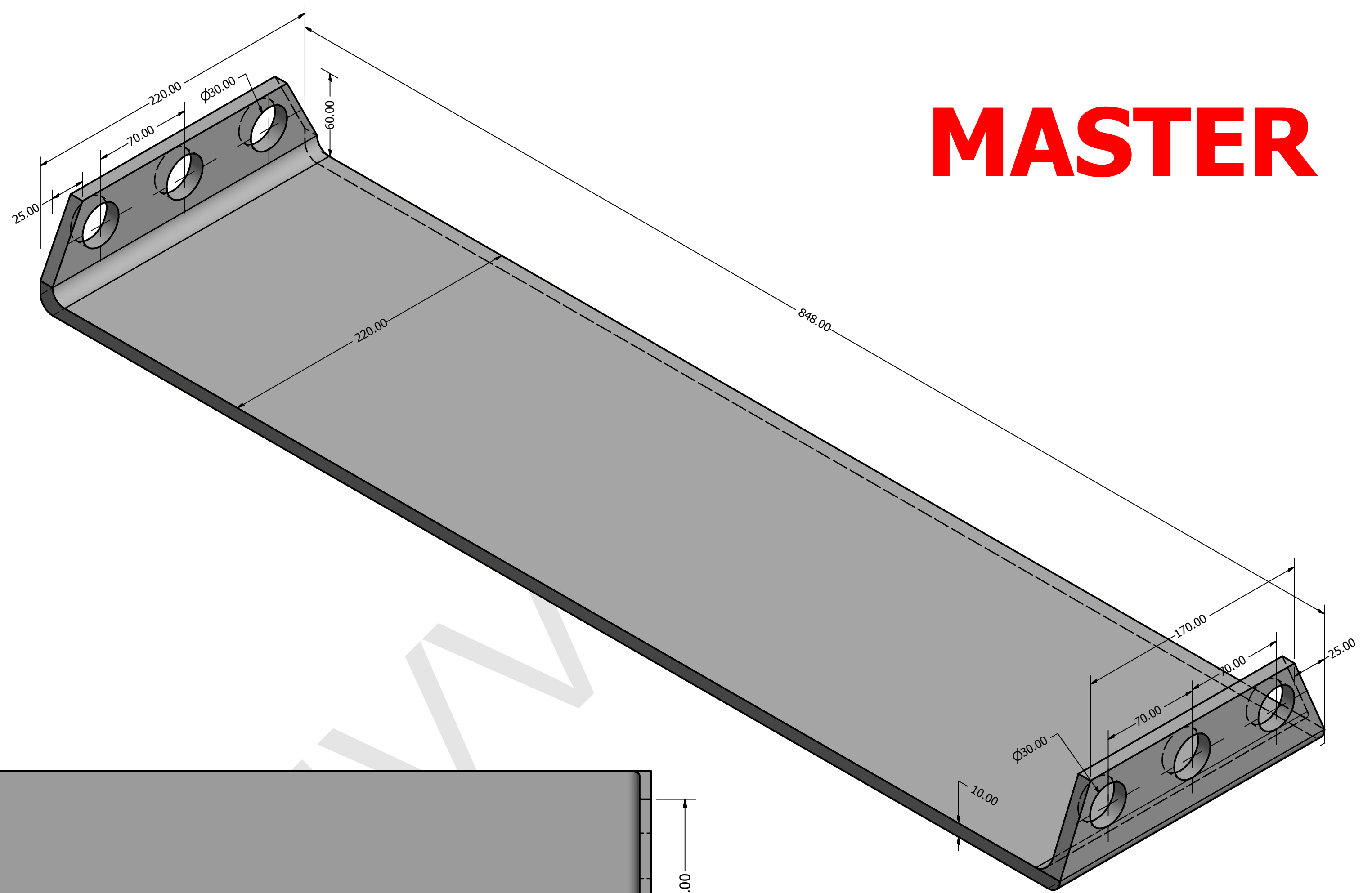


MASTER



NOTE:

ALL MEASUREMENTS ARE IN MILLIMETRES
 GAUGE STOP WELDED ON 3 SIDES ONLY, 6mm CONTINUOUS WELD
 MATERIAL 10mm THICK MILD STEEL PLATE BS EN 10025 1990 FE 430A

DRAWN gdoogan	29/08/2013	RIVVAL		
CHECKED MEM	29/08/2013			
QA		SOLE PLATE RP00580/10		
MFG				
APPROVED MM	29/08/2013	SIZE C	DWG NO RP00580_10	REV
		SCALE	SHEET 1 OF 1	