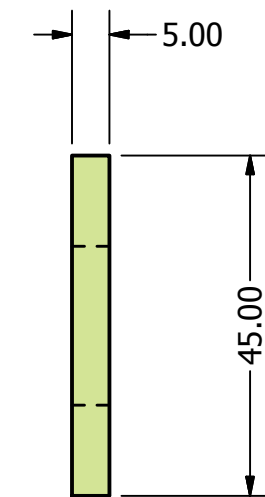
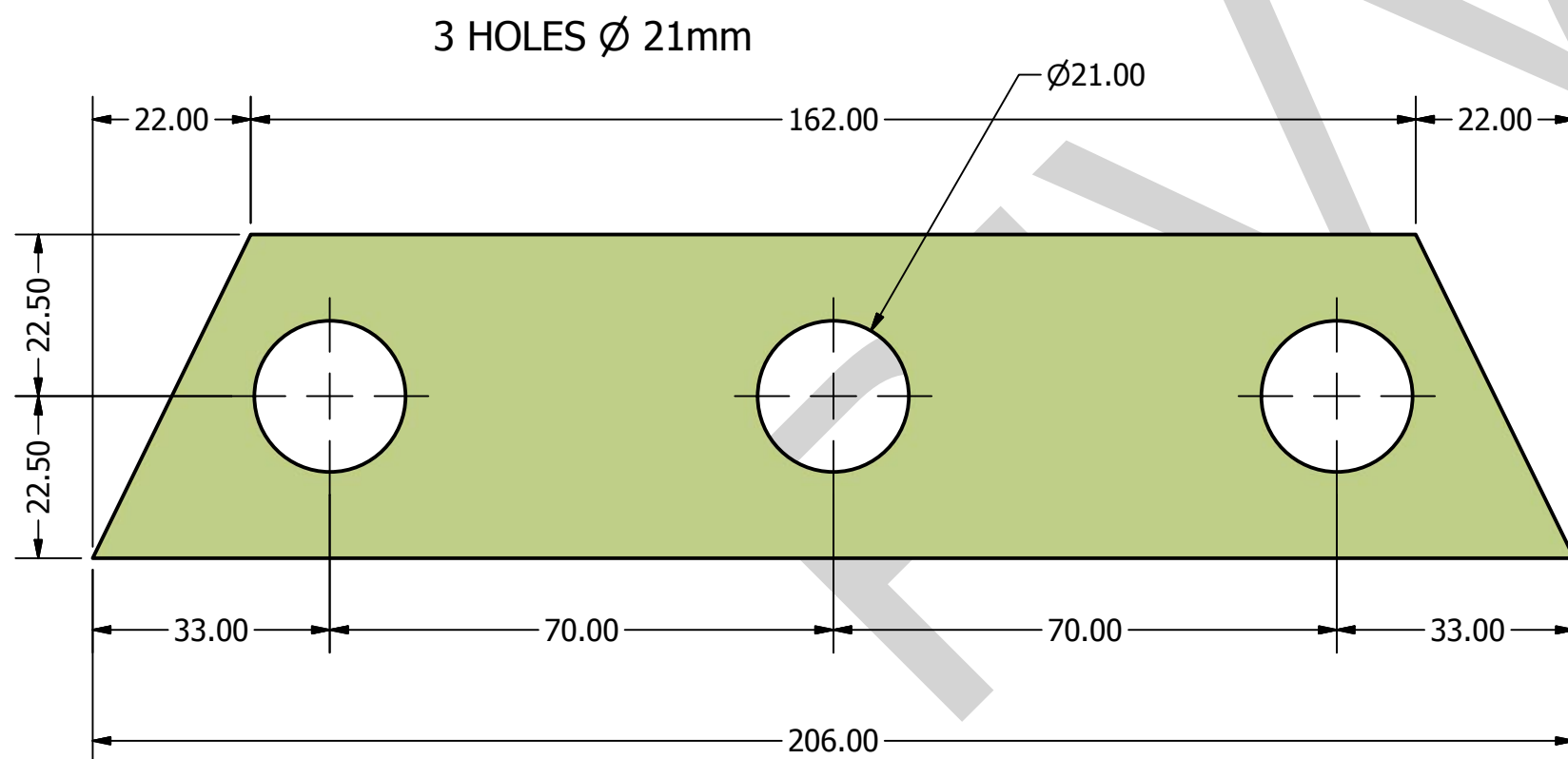
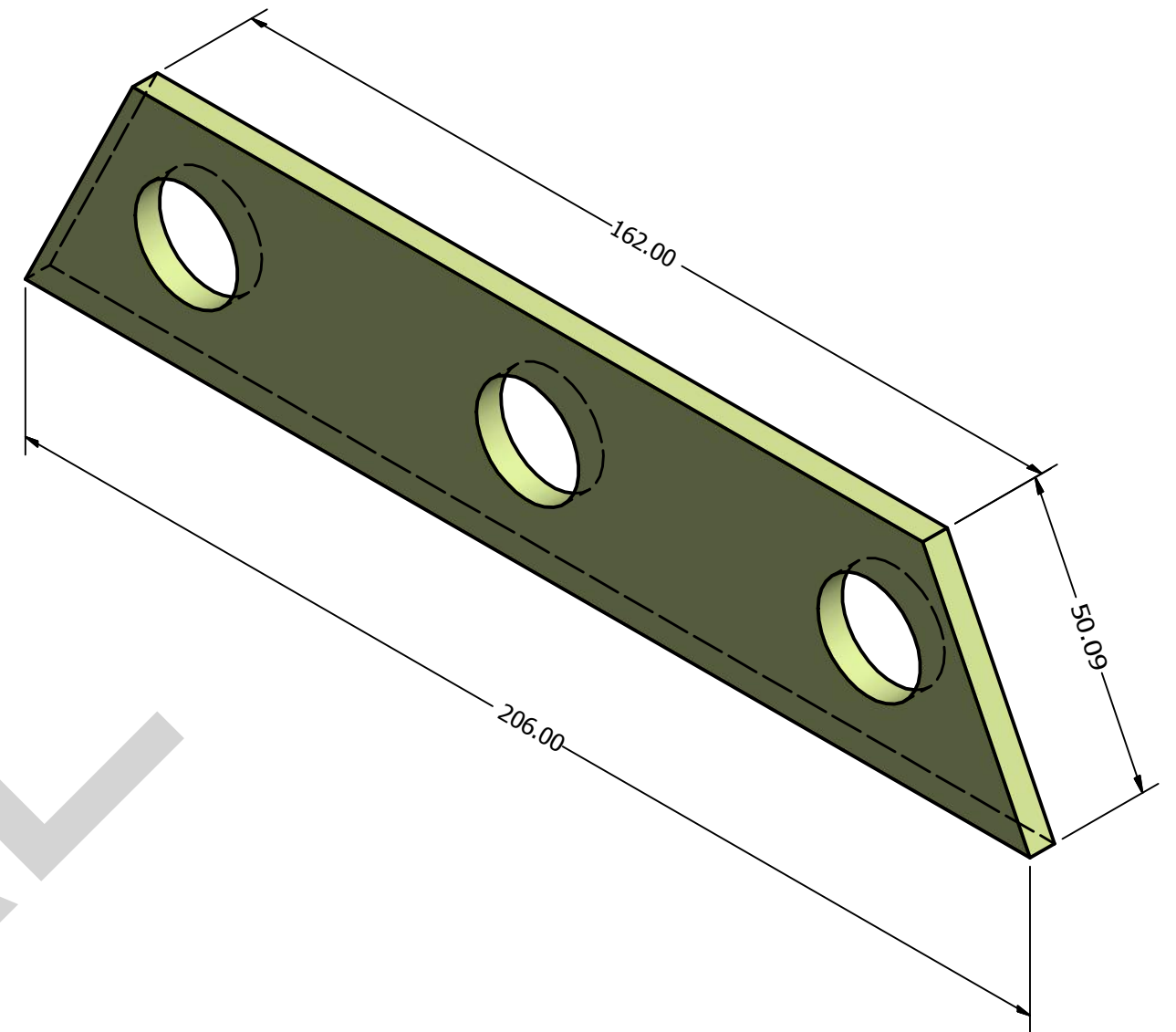
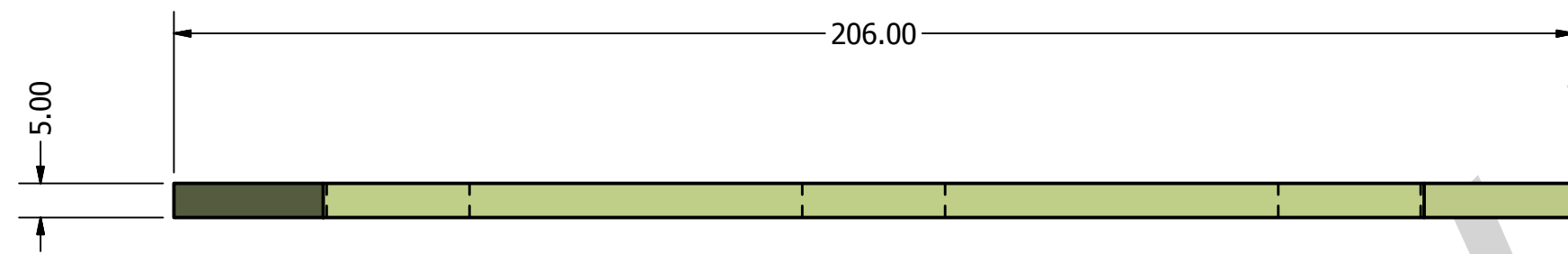


MASTER



NOTE:

ALL MEASUREMENTS ARE IN MILLIMETRES
 MATERIAL MILD STEEL PLATE BS EN 10025 1990 FE 430A
 3 HOLES $\varnothing 21$ mm

SIDE PLATE

DRAWN gdoogan	04/09/2013	RIVVAL		
CHECKED MEM	04/09/2013			
QA		SIDE PLATE		
MFG				
APPROVED MM	04/09/2013	SIZE C	DWG NO RP00580_12	REV 00
		SCALE	SHEET 1 OF 1	