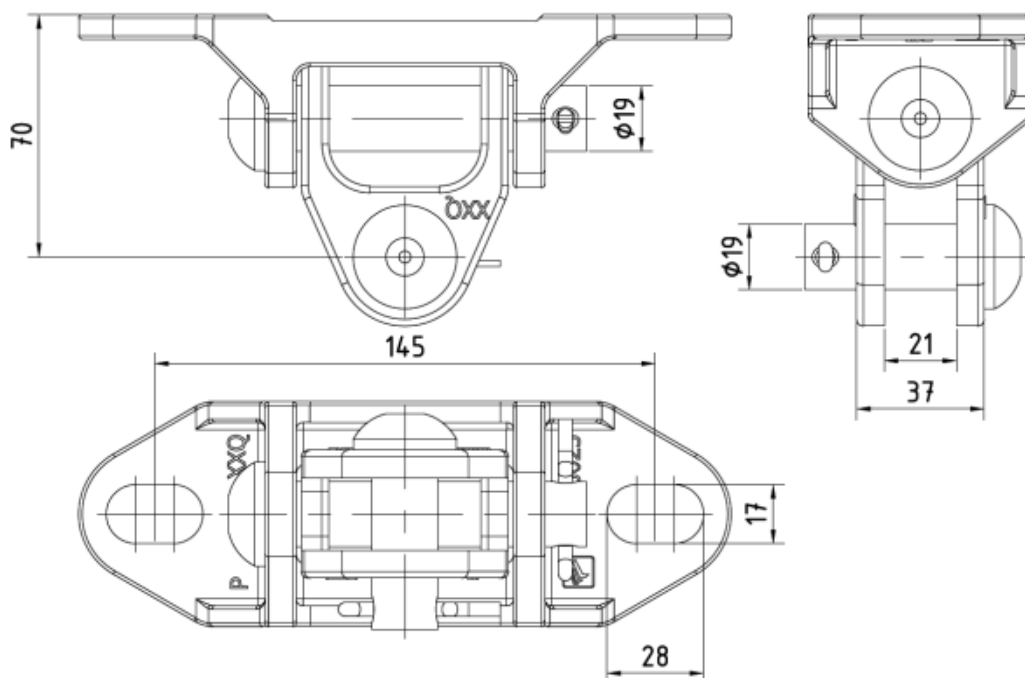


**218337**
**Hinge vertical 37/21mm for rope  
Kardan vertikální s L37/21**


Weight: 1.57 kg / pcs.

PART	USED MATERIAL
Clevis	CuZn16Si4
Hinge	CuZn16Si4
Bolts	stainless steel
Split pin	A4

**SNAPSHOT**


\*picture is illustrative only

**OTHER INFORMATION**

LABEL	VALUE	DESCRIPTION
Permitted load	20 kN	
Connection part	hinge contact L37	