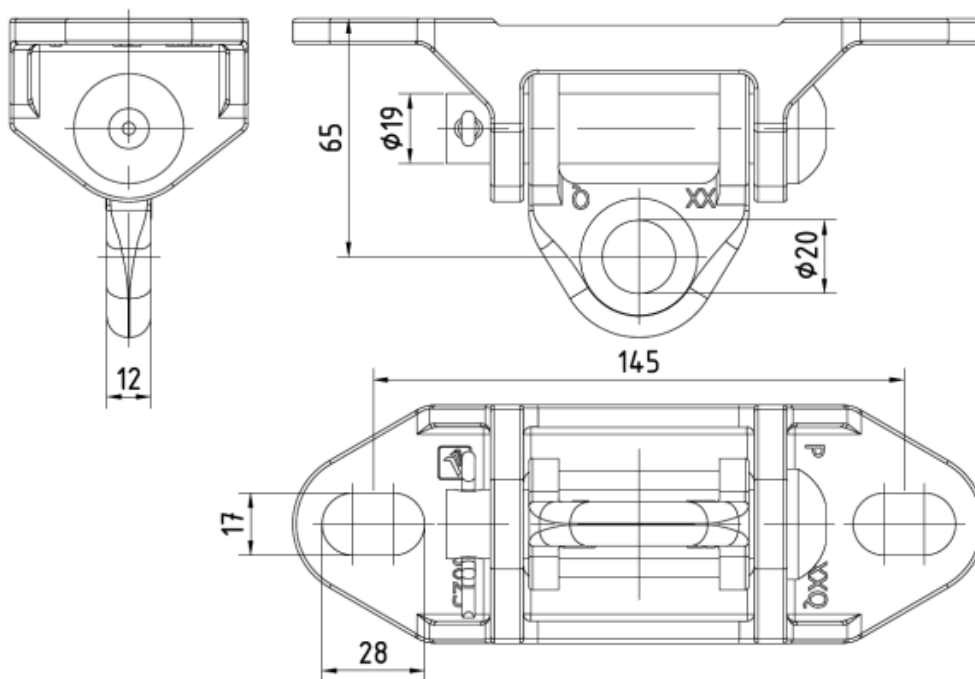


218340
**Hinge vertical with eye
Kardan vertikální s okem**


Weight: 1.33 kg / pcs.

PART	USED MATERIAL
Hinge	CuZn16Si4
Eye	CuZn16Si4
Bolt	stainless steel
Split pin	A4

SNAPSHOT


*picture is illustrative only

OTHER INFORMATION

LABEL	VALUE	DESCRIPTION
Permitted load	20 kN	