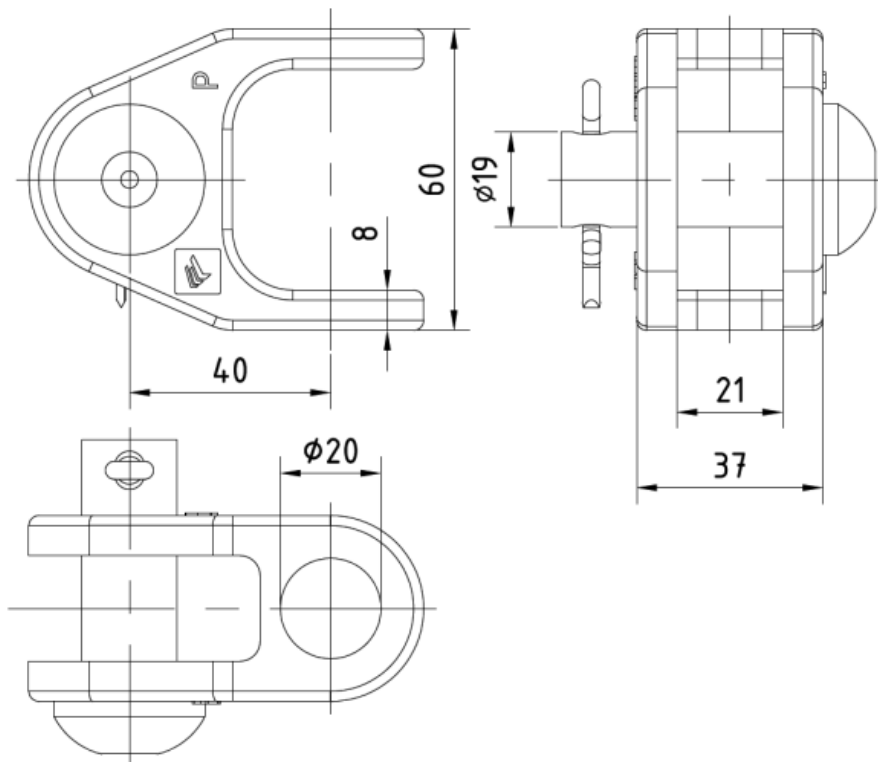


218437

Hinge contact 37/21 with one pin
Spojka L37/21 s epem



Weight: 0.46 kg / pcs.

SNAPSHOT



*picture is illustrative only

PART	USED MATERIAL
Body	CuZn16Si4
Bolt	stainless steel
Split pin	A4

OTHER INFORMATION

LABEL	VALUE	DESCRIPTION
Permitted load	20 kN	