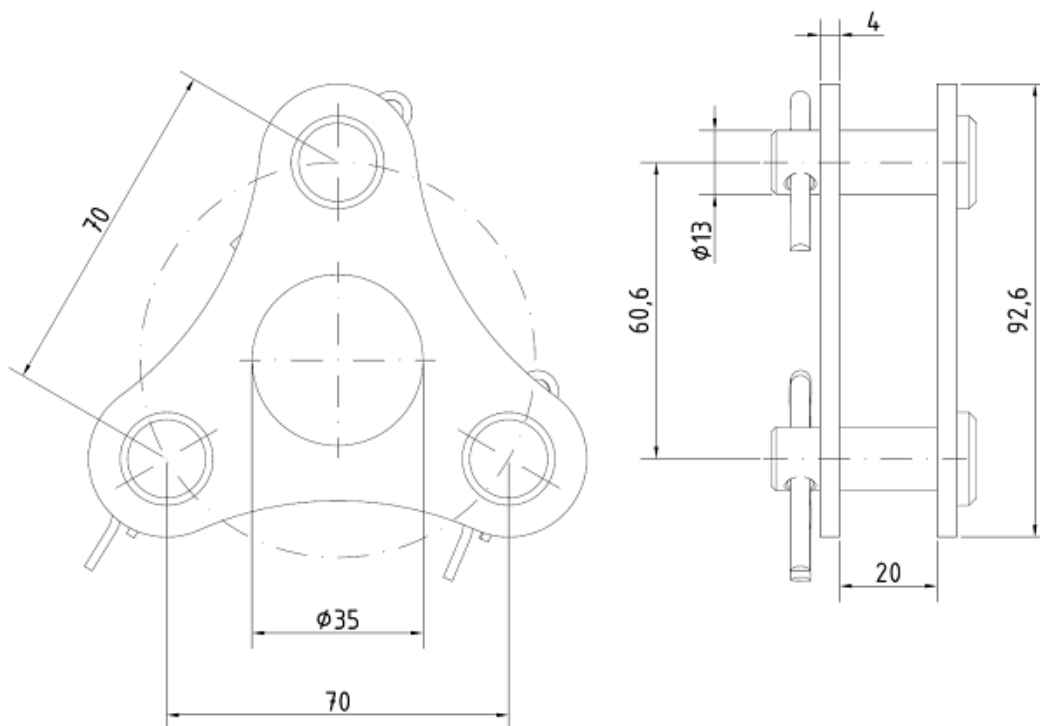


211433
Three-pin clevis link with bolts 13 (stainless steel)
Spojka trojstranná dvojitá s špičky pr.13 (nerez)


Weight: 0.41 kg / pcs.

PART	USED MATERIAL
Body	stainless steel
Bolts	stainless steel
Split pin	A4

SNAPSHOT


*picture is illustrative only

OTHER INFORMATION

LABEL	VALUE	DESCRIPTION
Permitted load	10 kN	