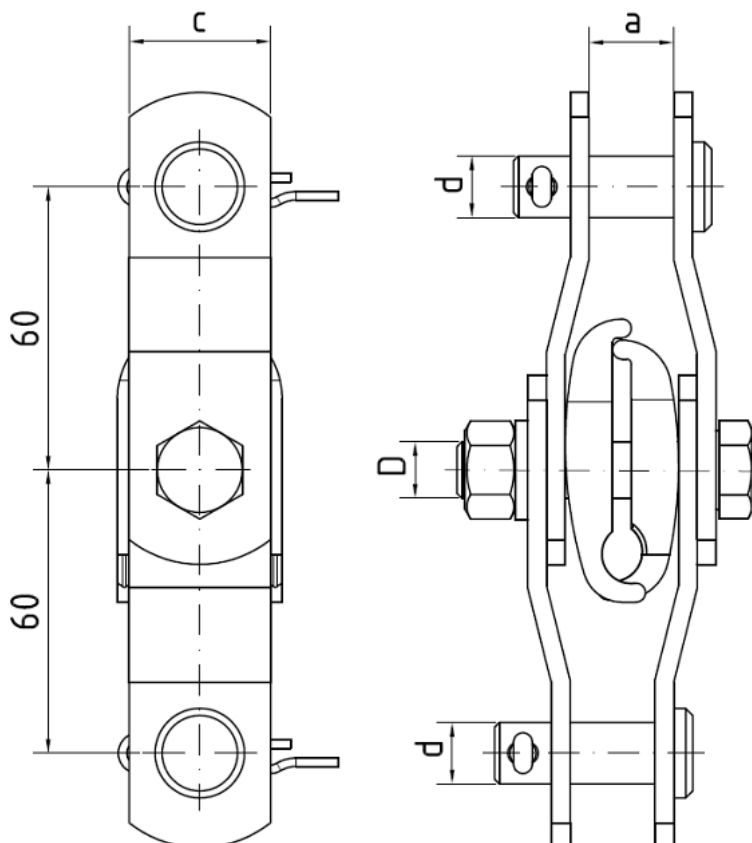


212413
Double supporting point clamp with bolt 13 mm
Svorka lanová s šepem pr. 13 mm dvojitá

DIMENSIONS

| | |
|---|-------|
| a | 18 mm |
| c | 30 mm |
| d | 13 mm |
| D | M12 |

Weight: 0.69 kg / pcs.

PART
USED MATERIAL

| | |
|------------------|-----------------|
| Clamps | CuZn16Si4 |
| Links, bolts | stainless steel |
| Connecting parts | stainless steel |
| Split pin | A4 |

SNAPSHOT


*picture is illustrative only

OTHER INFORMATION

| LABEL | VALUE | DESCRIPTION |
|------------------|-------|-------------|
| Permitted strain | 10 kN | |