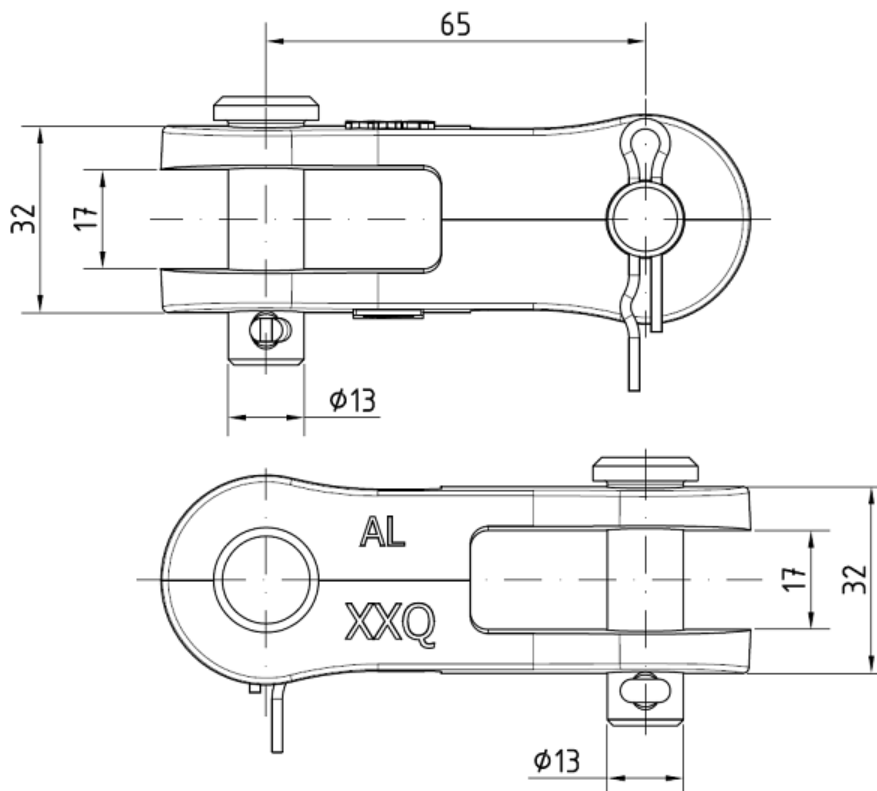


212433 A

**Twin cross shackle with pins 13 mm (BzAl)**  
**Křížová vidlice s špičky 13 mm (BzAl)**


Weight: 0.47 kg / pcs.

**SNAPSHOT**

PART	USED MATERIAL
Body	CuAL10Fe5Ni5
Bolt	stainless steel
Split pin	Cu



\*picture is illustrative only