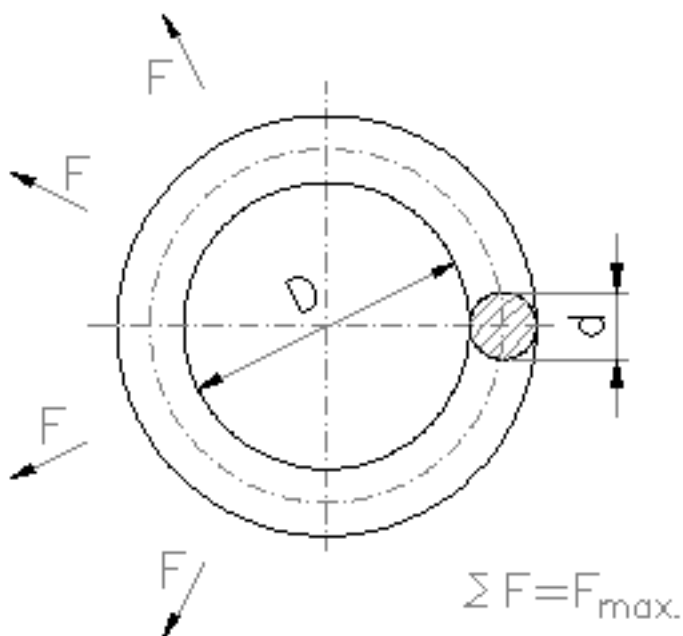


211606

Steel ring FeZn 14mm dia.60mm
Kroužek FeZn pr.14 mm pro sv tlost 60 mm

DIMENSIONS

D	60 mm
d	14 mm

Weight: 0.27 kg / pcs.

PART
USED MATERIAL

Ring	S 355J2G3
------	-----------

SNAPSHOT


*picture is illustrative only

OTHER INFORMATION

LABEL	VALUE	DESCRIPTION
Surface coating		hot dip galvanizing
Permitted load - Fmax	12 kN	



Elektroline Inc.

K Ládví 20, Prague 8, 180 00, Czech Republic
www.elektroline.cz, info@elektroline.cz



Breaking load	min 80 kN	
---------------	-----------	--