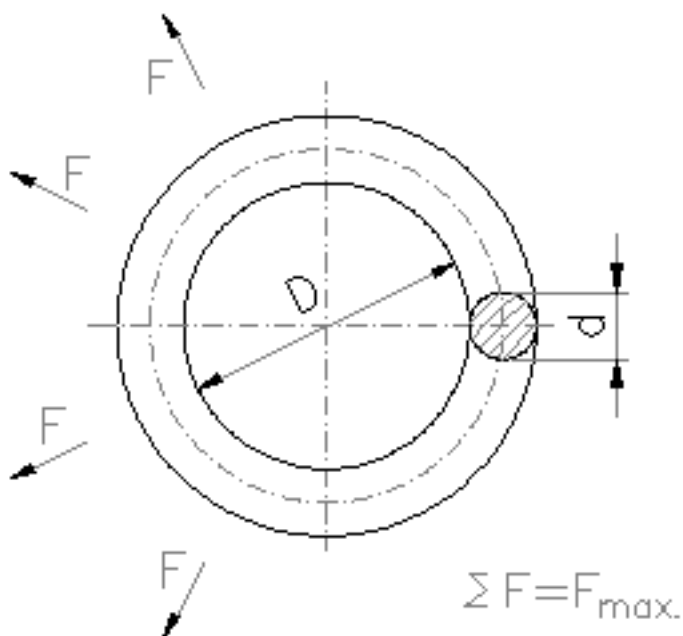


211608

**Steel ring FeZn 16mm dia. 74mm**  
**Kroužek FeZn pr.16 mm pro sv tlost 74 mm**

**DIMENSIONS**

D	74 mm
d	16 mm

Weight: 0.62 kg / pcs.

**PART**
**USED MATERIAL**

Body	S 355J2G3
------	-----------

**SNAPSHOT**


\*picture is illustrative only

**OTHER INFORMATION**

LABEL	VALUE	DESCRIPTION
Surface coating		hot dip galvanized
Breaking load	min 80 kN	