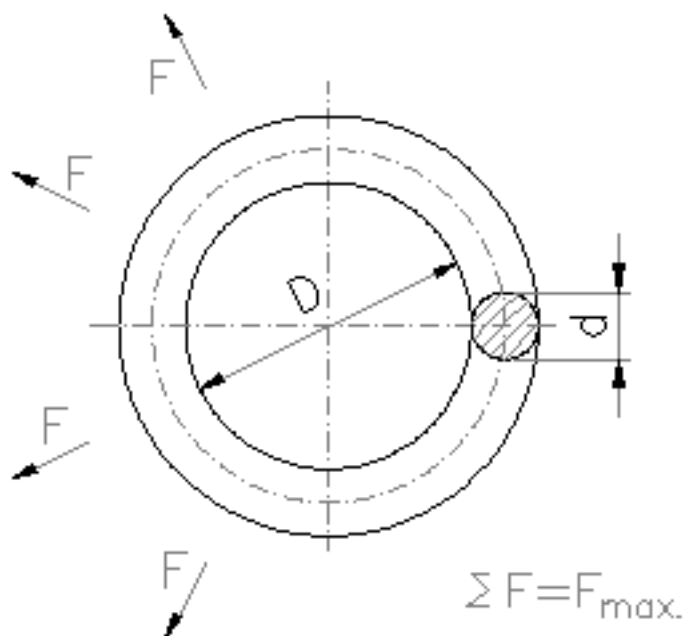


211610

Steel ring FeZn 16mm dia. 83mm
Kroužek FeZn pr.16 mm pro sv tlost 83 mm

DIMENSIONS

D	83 mm
d	16 mm

Weight: 0.48 kg / pcs.

PART
USED MATERIAL

Ring	S 355J2G3
------	-----------

SNAPSHOT


*picture is illustrative only

OTHER INFORMATION

LABEL	VALUE	DESCRIPTION
Surface coating		hot dip galvanized
Breaking load	min 80 kN	