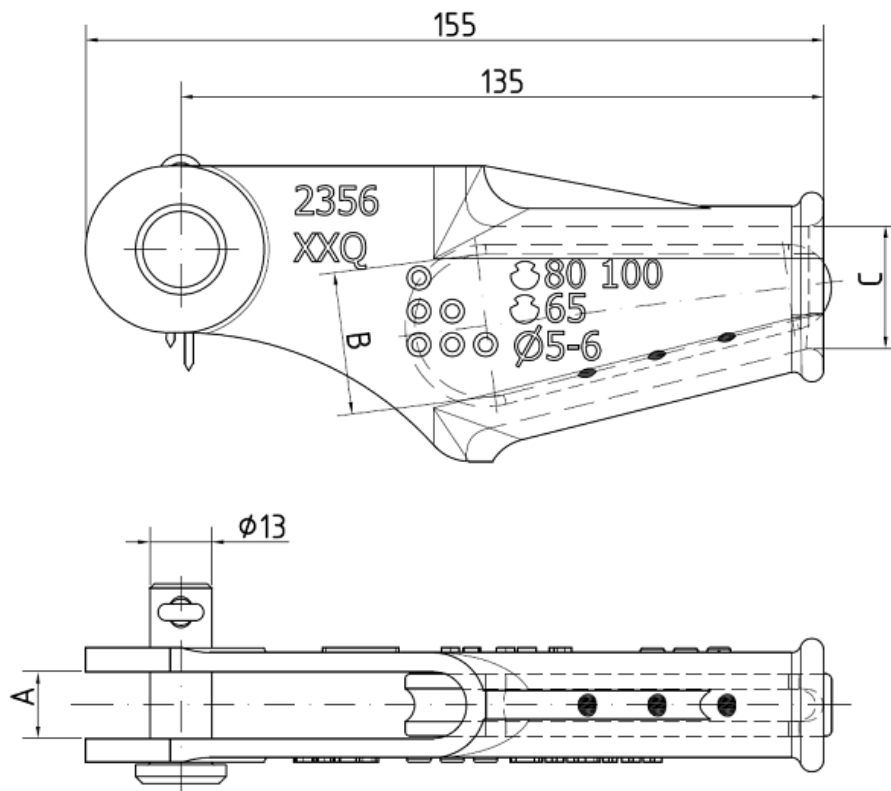


**212113**
**Wedge type terminal 10 kN rope 25-35 mm ooo**  
**Koncovka klínová 10 kN pro lano 25-35 mm<sup>2</sup>, v . epu a klínku ooo**

**DESCRIPTION**

 used for contact wire 25,35Ri (RiS) and for rope 25-35 mm<sup>2</sup>
**DIMENSIONS**

A	14 mm
B	30 mm
C	25,8 mm

Weight: 0.74 kg / pcs.

**PART**
**USED MATERIAL**

Box	CuZn16Si4
Wedge	CuZn40Pb2
Bolt	stainless steel
Split pin	A4

**SNAPSHOT**


\*picture is illustrative only

**OTHER INFORMATION**

LABEL	VALUE	DESCRIPTION
-------	-------	-------------



Permitted strain	10 kN	
Wedge/reference hole	3	