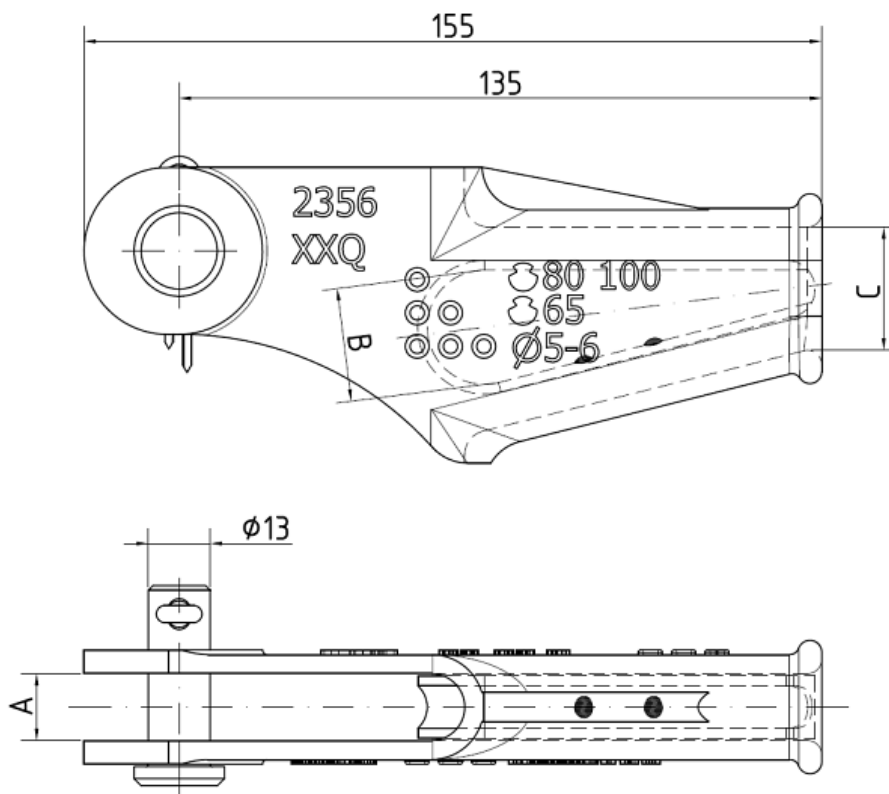


212112
Wedge type terminal 10 kN rope 35-50 mm ϕ
Koncovka klínová 10 kN pro lano 35-50 mm², v . epu a klínku ϕ

DESCRIPTION
used for contact wire 65Ri and RiS and for rope 35-50mm²
DIMENSIONS

A	14 mm
B	24 mm
C	25,8 mm

Weight: 0.68 kg / pcs.

PART
USED MATERIAL

Box	CuZn16Si4
Wedge	CuZn40Pb2
Bolt	stainless steel
Split pin	A4

SNAPSHOT


*picture is illustrative only

OTHER INFORMATION

LABEL	VALUE	DESCRIPTION
-------	-------	-------------



Permitted strain	10 kN	
Wedge/reference hole	2	