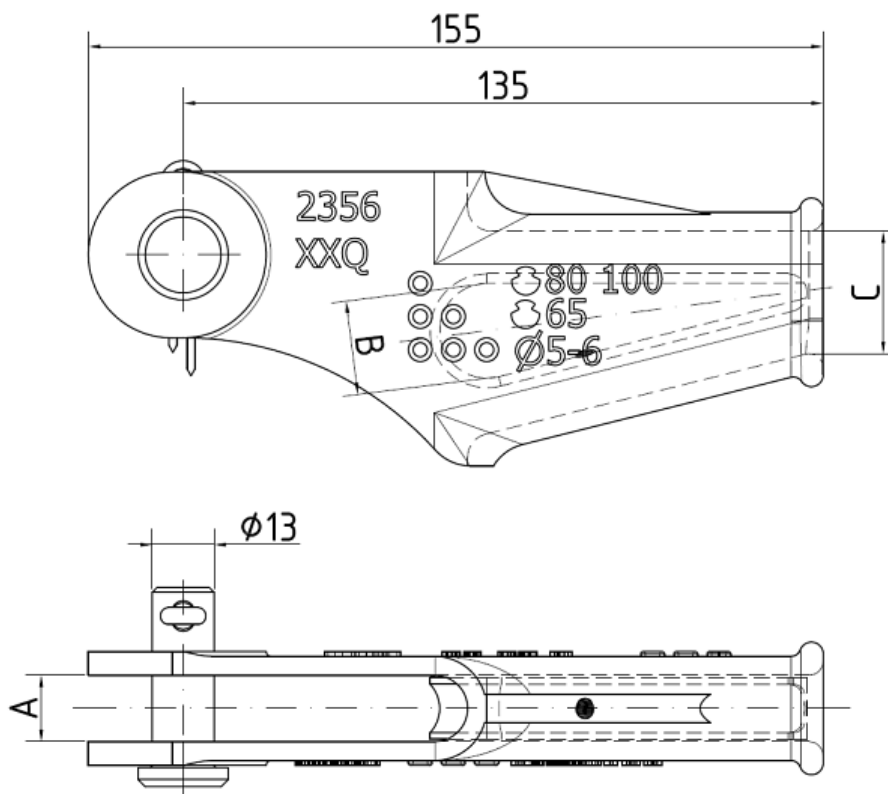


**212111**
**Wedge type terminal 10 kN rope 70 mm o**  
**Koncovka klínová 10 kN pro lano 70 mm<sup>2</sup>, v . epu a klínku o**

**DESCRIPTION**

 used for contact wire 80,100Ri (RiS), for rope 70mm<sup>2</sup>
**DIMENSIONS**

A	14 mm
B	20 mm
C	25,8 mm

Weight: 0.64 kg / pcs.

**PART**
**USED MATERIAL**

Box	CuZn16Si4
Wedge	CuZn40Pb2
Bolt	stainless steel
Split pin	A4

**SNAPSHOT**


\*picture is illustrative only

**OTHER INFORMATION**

LABEL	VALUE	DESCRIPTION
-------	-------	-------------



Permitted strain	10 kN	
Wedge/reference hole	1	