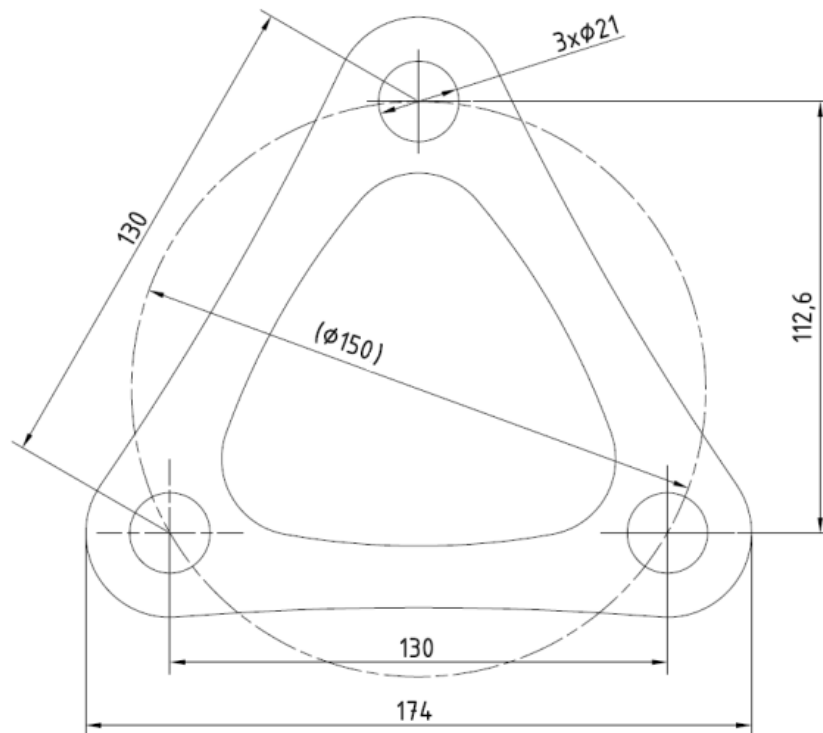


211690

**Three-pin clevis large (stainless steel)**  
**Spojka trojsm rná velká(nerez)**

**DIMENSIONS**

Depth	8 mm
-------	------

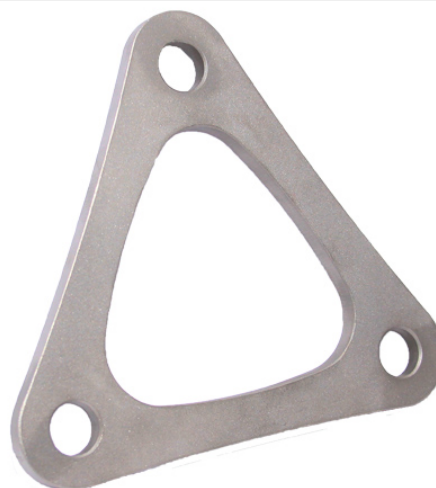
Weight: 0.53 kg / pcs.

**PART**

Body

**USED MATERIAL**

stainless steel

**SNAPSHOT**


\*picture is illustrative only

**OTHER INFORMATION**
**LABEL**

Permitted load

**VALUE**

10 kN

**DESCRIPTION**