



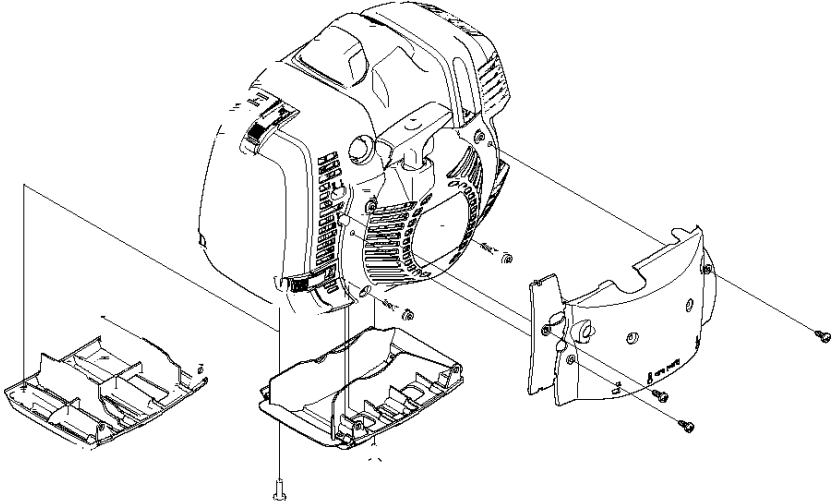
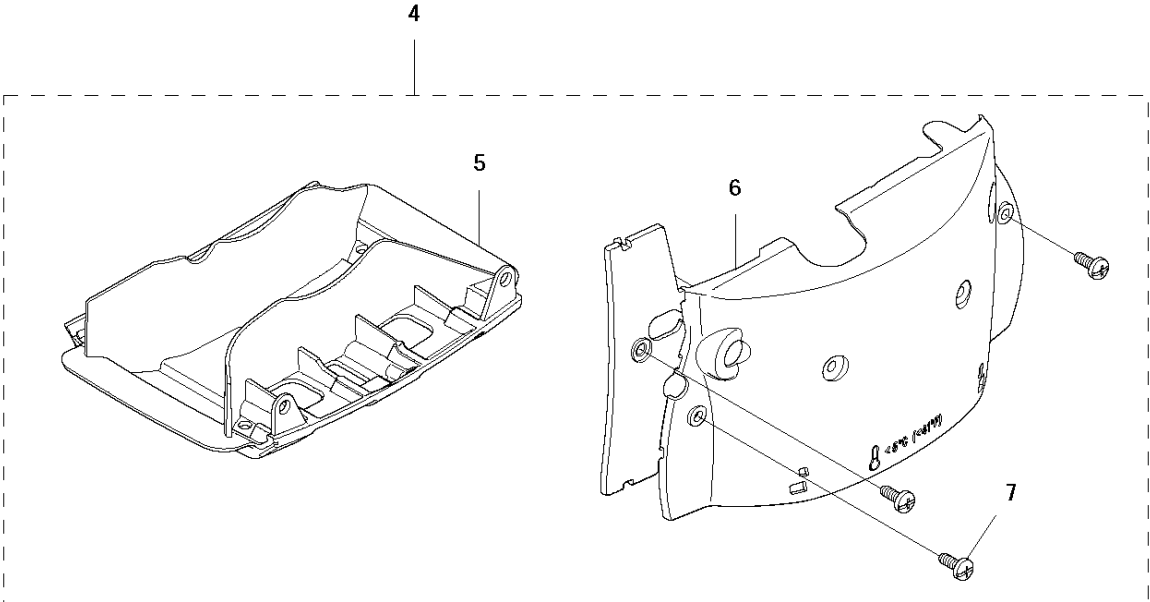
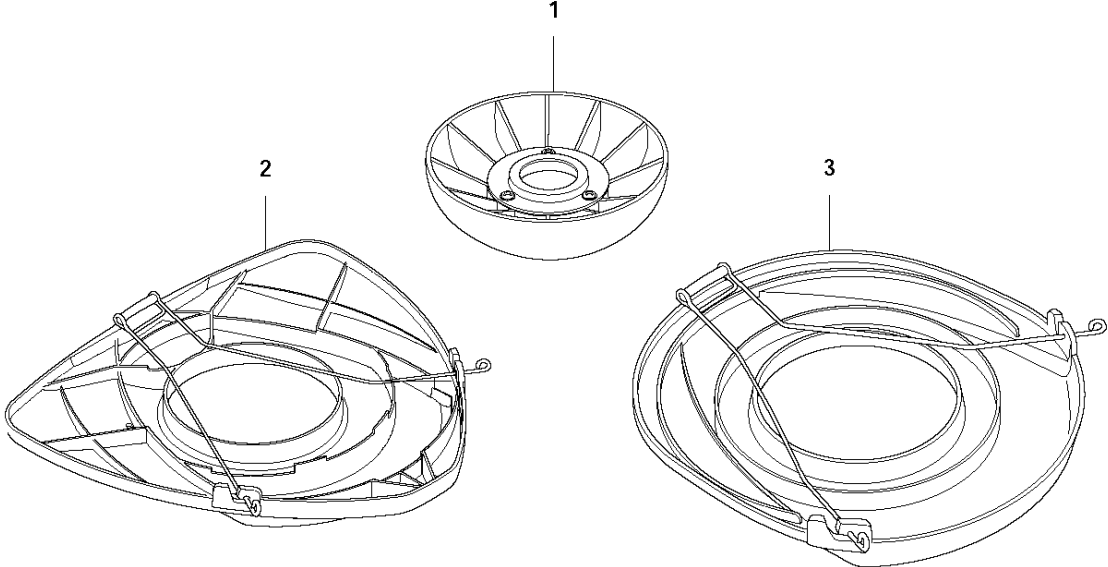
SPARE PARTS LIST

BRUSHCUTTERS/CLEARING SAWS

545 FX

R4 545 FX, 545 FXT, 545 RX, 545 RXT, 345 FR

ACCESSORIES

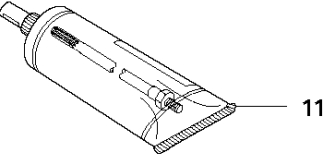
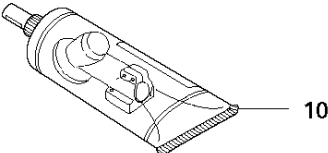
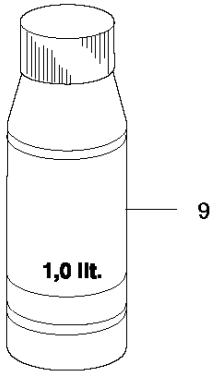
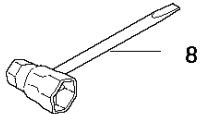
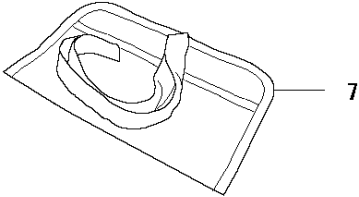
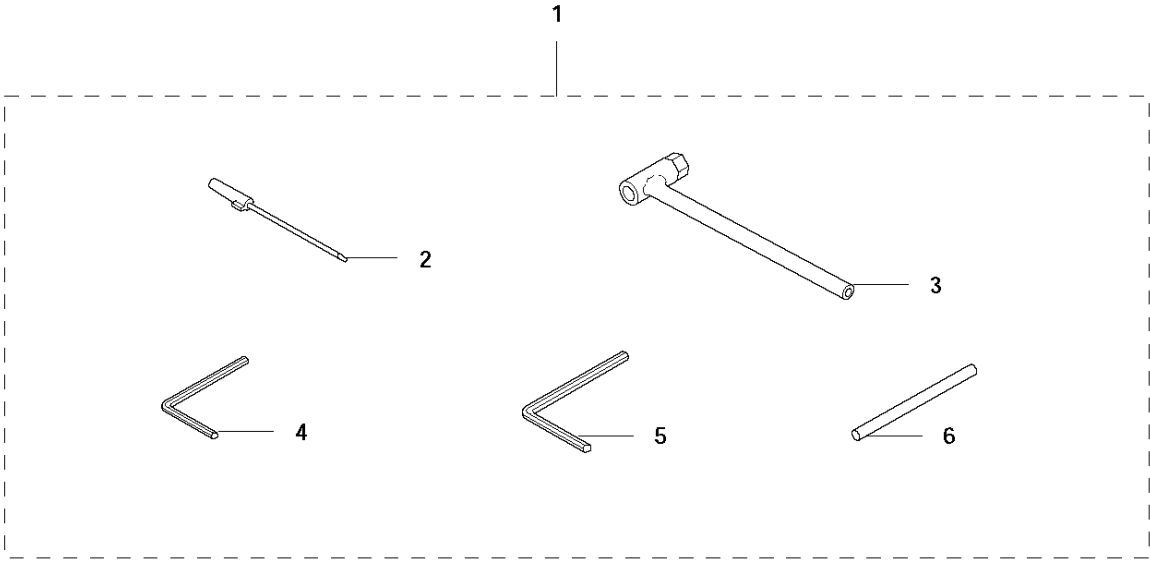


ACCESSORIES

545 FX

Ref	Part no.	Description	Remark	Qty	Kit
1	502 15 70-02	SUPPORT CUP		1	
2	544 35 91-01	TRANSPORT GUARD		1	
3	537 31 29-01	TRANSPORT GUARD		1	
4	577 04 39-01	WINTER KIT		1	
5	575 94 80-01	PROTECTIVE COVER		1	4
6	522 55 09-01	WINTER COVER		1	4
7	503 21 70-10	SCREW CCRPANT		3	4

R1 545 FX, 545 FXT, 545 RX, 545 RXT, 345 FR
ACCESSORIES

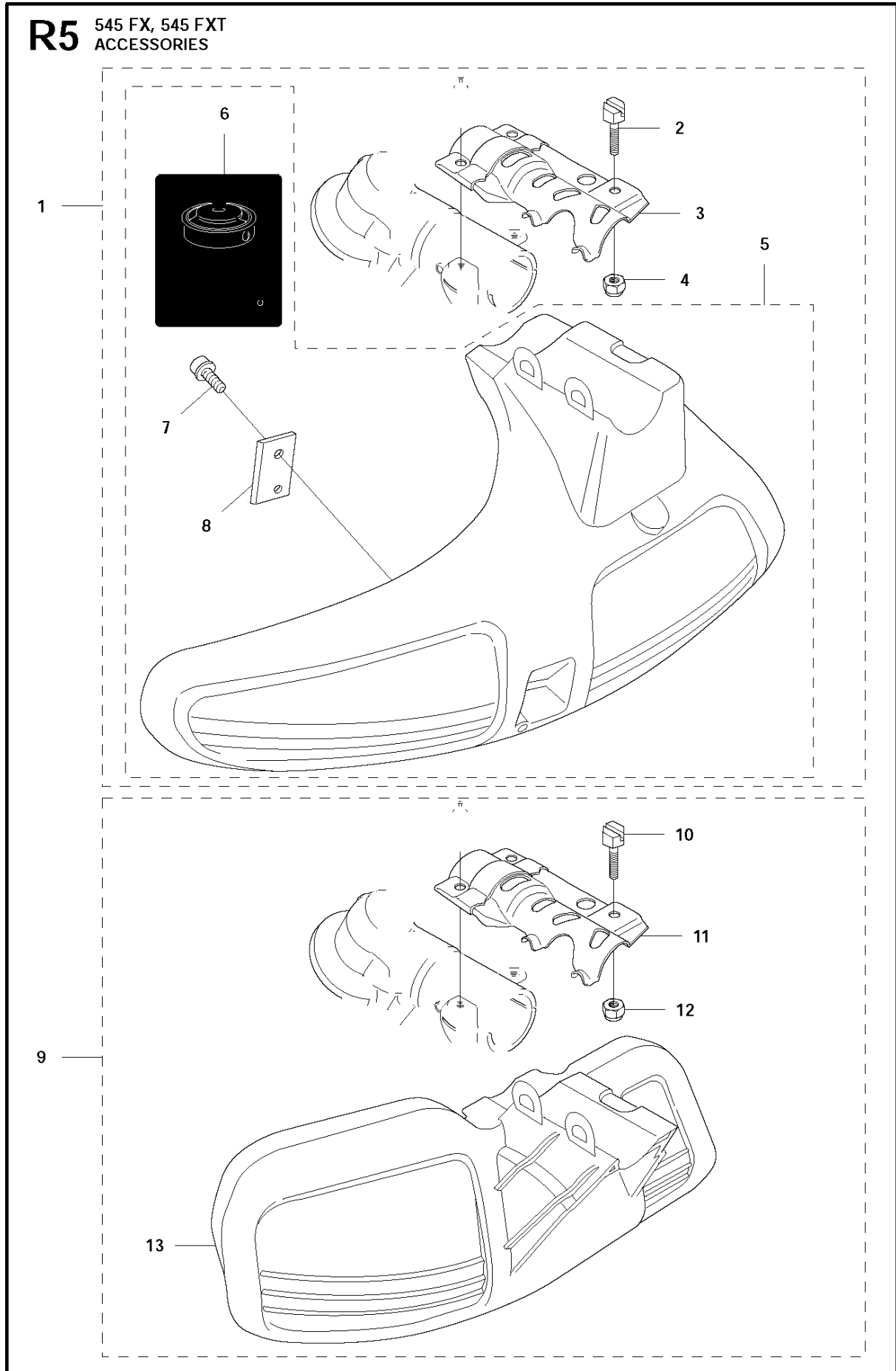


ACCESSORIES

545 FX

Ref	Part no.	Description	Remark	Qty	Kit
1	502 21 60-13	ACCESSORY BAG		1	
2	501 60 02-03	SCREWDRIVER		1	1
3	502 11 46-03	KEY		1	1
4	502 21 58-01	L-NYCKEL	4 mm	1	1
5	503 55 86-02	SPANNER	5 mm	1	1
6	502 28 59-01	STOP		1	1
7	501 19 22-01	TOOL CASING		1	
8	537 36 21-01	COMBINATION WRENCH		1	
9	531 00 92-48	FILTER OIL		1	
10	503 97 64-01	GREASE		1	
11	503 80 17-01	GREASE		1	

R5 545 FX, 545 FXT
ACCESSORIES

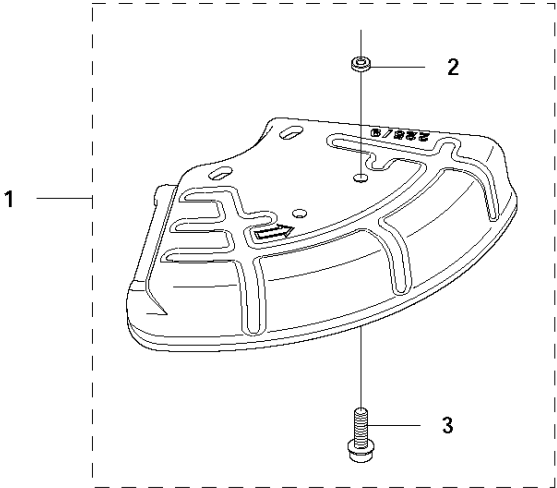


ACCESSORIES

545 FX

Ref	Part no.	Description	Remark	Qty	Kit
1	537 29 73-01	TRIMMER GUARD		1	
2	537 18 95-01	SCREW		1	1
3	537 23 03-01	ATTACHMENT PLATE		1	1
4	732 21 16-01	NUT		1	1
5	503 95 43-02	TRIMMER GUARD		1	1
6	503 74 29-01	DECAL		1	1, 5
7	503 21 07-16	SCREW IHSCFT		1	1, 5
8	537 28 53-01	BLADE		1	1, 5
9	537 29 74-01	GRASS BLADE GUARD		1	
10	537 18 95-01	SCREW		1	9
11	537 23 03-01	ATTACHMENT PLATE		1	9
12	732 21 16-01	NUT		1	9
13	537 28 85-01	GRASS BLADE GUARD		1	9

R6 545 FX, 545 FXT
ACCESSORIES

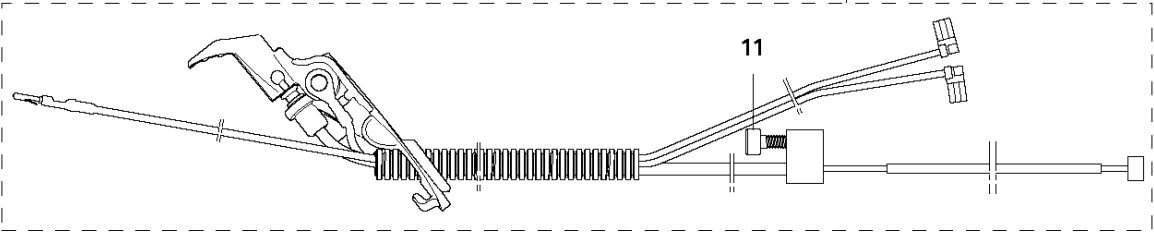
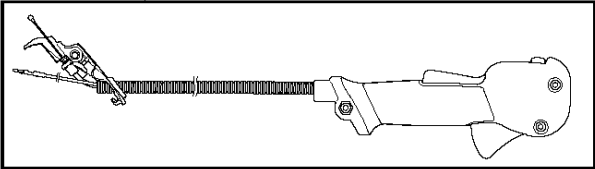
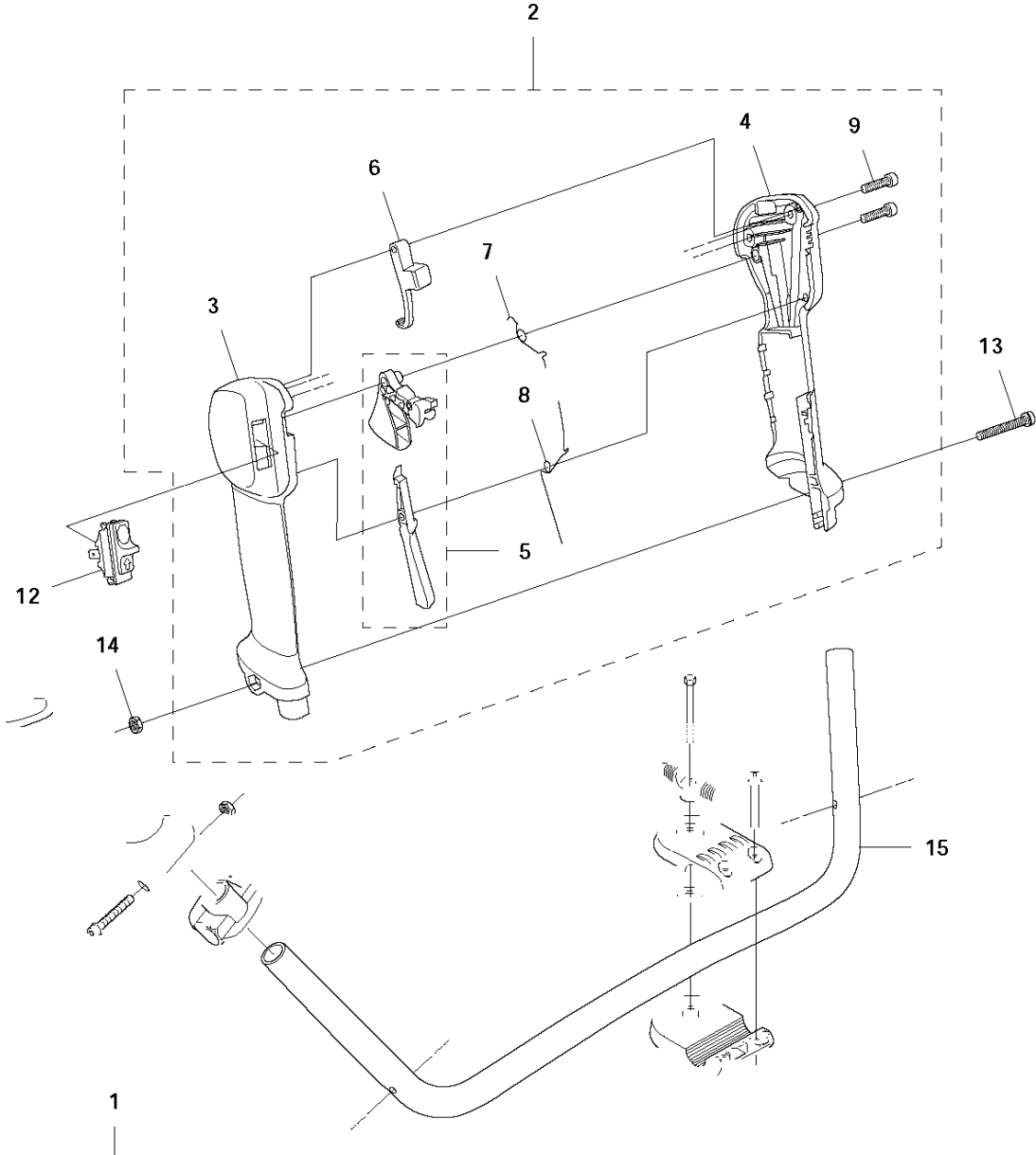


ACCESSORIES

545 FX

Ref	Part no.	Description	Remark	Qty	Kit
1	574 50 67-02	SAW BLADE GUARD	225 mm Sawblade guard	1	
1	574 53 26-01	BLADE GUARD	200 mm Sawblade guard	1	
2	574 03 95-01	LOCKING NUT		1	1
3	503 20 03-16	SCREW IHSCFM		1	1

R9 545 FX, 545 FXT
ACCESSORIES

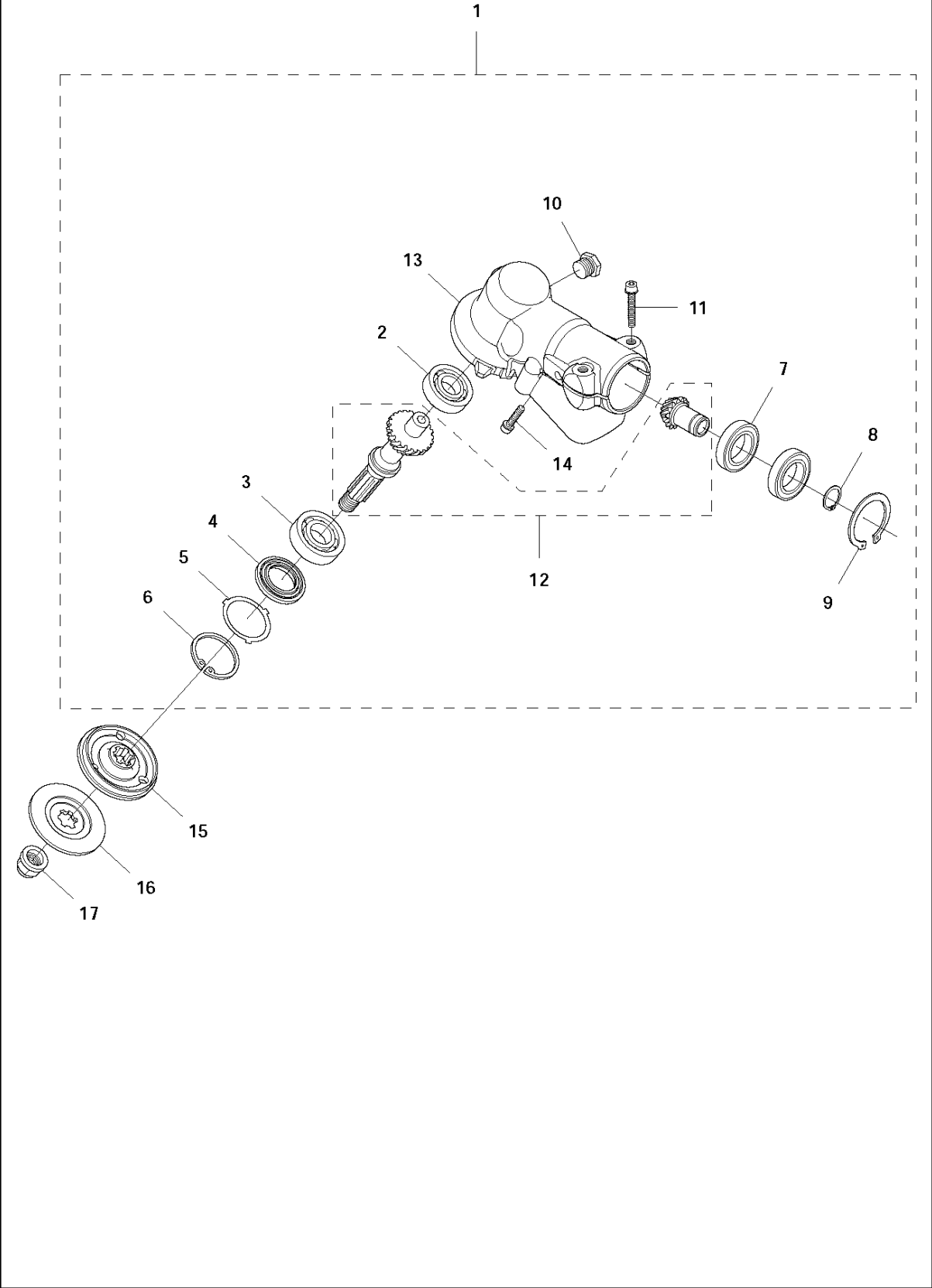


ACCESSORIES

545 FX

Ref	Part no.	Description	Remark	Qty	Kit
1	577 07 19-02	THROTTLE HANDLE ASSY		1	
2	504 20 98-04	THROTTLE HANDLE ASSY		1	1
3	537 18 07-11	HANDLE HALF LEFT		1	1, 2
4	537 18 08-11	HANDLE HALF RIGHT		1	1, 2
5	506 49 77-01	THROTTLE CONTROL		1	1, 2
6	537 16 07-01	STARTER THROTTLE LOC		1	1, 2
7	537 17 42-01	SPRING THROTTLE TRIG		1	1, 2
8	537 17 43-01	SPRING		1	1, 2
9	503 21 66-74	SCREW IHSCT		2	1, 2
10	525 41 98-01	WIRING ASSY		1	1
10	525 41 98-02	WIRING ASSY		1	1, 10
11	503 21 66-16	SCREW IHSCT		1	
12	537 41 90-01	SWITCH		1	
13	503 20 07-82	SCREW IHSCFM		1	
14	503 22 10-13	HEXAGON NUT		1	
15	505 43 33-03	HANDLEBAR		1	

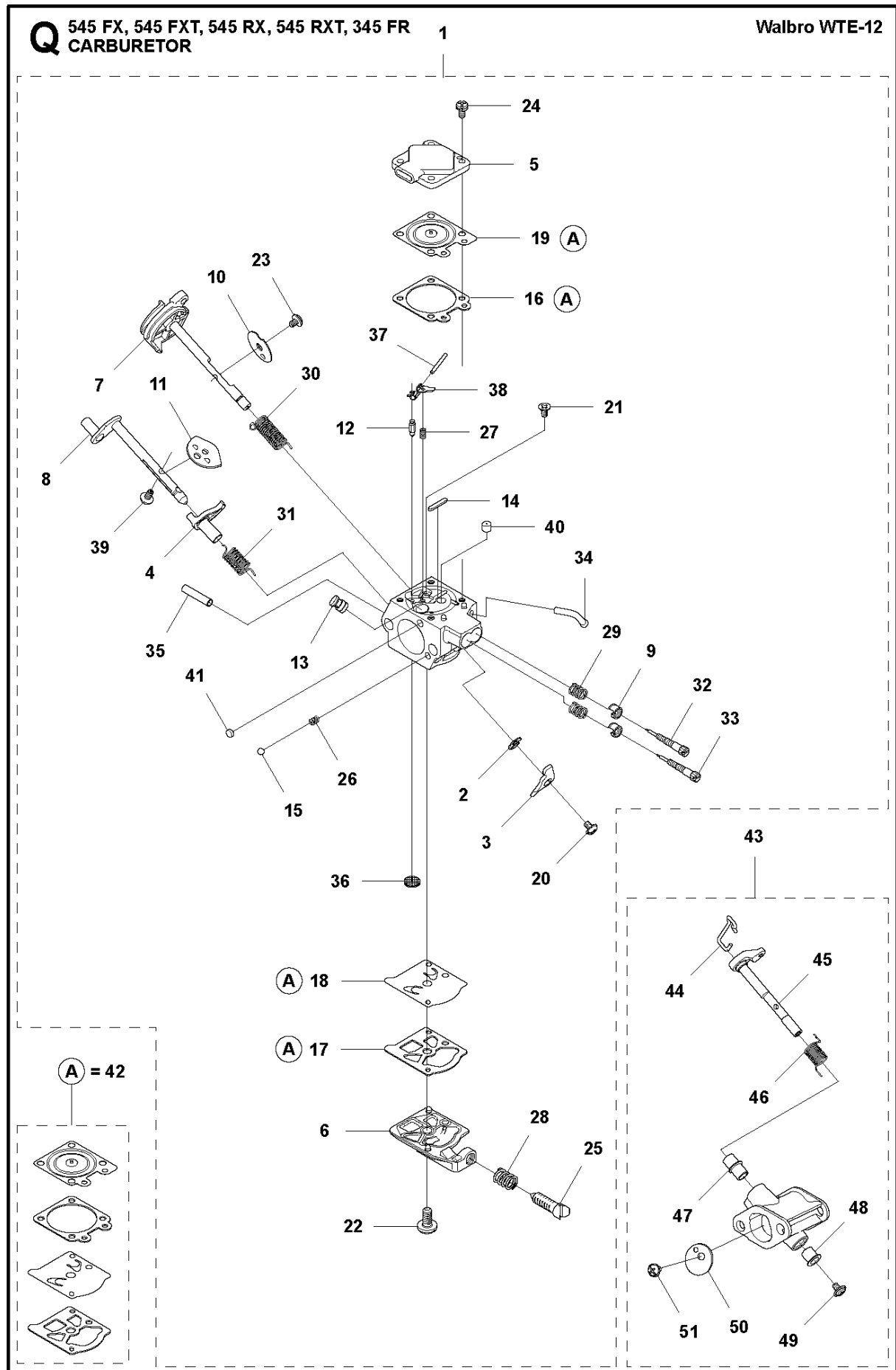
A2 545 FX, 545 FXT
BEVEL GEAR



BEVEL GEAR

545 FX

Ref	Part no.	Description	Remark	Qty	Kit
1	502 29 78-01	GEAR HOUSING ASSY		1	
2	738 21 01-10	BALL BEARING		1	1
3	503 25 08-01	BEARING		1	1
4	503 26 17-01	SEALING		1	1
5	503 75 89-01	COVER WASHER		1	1
6	735 31 33-10	CIRCLIP		1	1
7	738 21 87-12	BALL BEARING		2	1
8	735 31 17-00	CIRCLIP		1	1
9	735 31 31-10	CIRCLIP		1	1
10	503 20 15-01	SCREW IHHM		1	1
11	503 20 02-25	SCREW IHSCFM		2	1
12	537 29 06-01	SP PARTS KIT		1	1
13	502 29 79-01	GEAR HOUSING		1	1
14	503 20 03-16	SCREW IHSCFM		4	1
15	544 19 78-01	DRIVER		1	
16	544 21 78-01	SUPPORT FLANGE		1	
17	502 29 11-01	NUT BLADE		1	

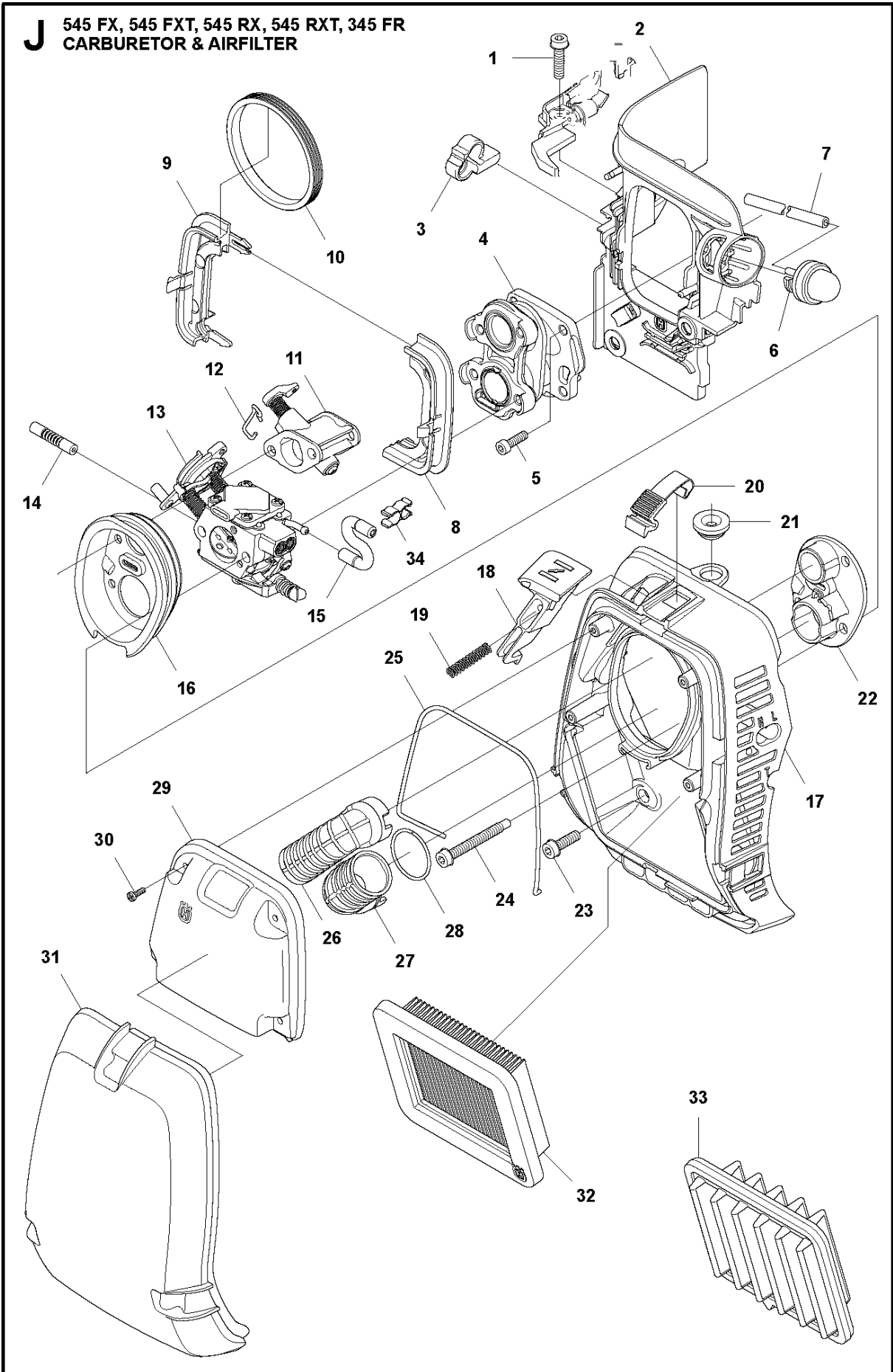


CARBURETOR

545 FX

Ref	Part no.	Description	Remark	Qty	Kit
1	574 32 91-01	CARBURETTOR ASSY	Walbro WTE 12	1	
2	505 31 67-36	RING		1	1
3	575 46 37-01	LEVER		1	1
4	544 17 77-01	LEVER		1	1
5	574 35 81-01	COVER		1	1
6	503 58 43-01	COVER		1	1
7	577 01 67-01	SHAFT ASSY		1	1
8	544 04 40-01	SHAFT		1	1
9	544 97 08-01	LIMITER CAP		2	1
10	503 93 51-01	VALVE		1	1
11	537 10 96-01	VALVE		1	1
12	503 56 34-01	VALVE INLET NEEDLE		1	1
13	502 84 68-01	NOZZLE ASSY		1	1
14	502 84 69-01	PLUG		1	1
15	501 46 85-01	BALL-CHOKE FRICTION		1	1
16	504 35 09-06	GASKET		1	1, 42
17	504 13 09-06	GASKET		1	1, 42
18	577 01 66-01	DIAPHRAGM		1	1, 42
19	576 68 45-01	DIAPHRAGM ASSY		1	1, 42
20	501 46 87-01	SCREW		1	1
21	502 84 71-01	SCREW		1	1
22	501 46 69-01	SCREW		1	1
23	537 00 34-01	SCREW		1	1
24	537 00 31-01	SCREW		4	1
25	537 40 82-01	SCREW		1	1
26	501 46 84-01	SPRING		1	1
27	501 79 59-01	SPRING		1	1
28	501 66 78-01	SPRING		1	1
29	525 75 54-01	SPRING		2	1
30	544 17 76-01	SPRING		1	1
31	544 97 11-01	SPRING		1	1
32	502 84 72-01	NEEDLE		1	1
33	502 84 73-01	NEEDLE		1	1
34	577 01 68-01	FITTING		1	1
35	544 97 16-01	FITTING		1	1
36	501 66 61-01	SCREEN-INLET		1	1
37	505 52 01-25	PIN-METERING LEVER		1	1
38	502 84 74-01	LEVER		1	1
39	544 11 15-01	SCREW		1	1
40	505 42 69-01	JET		1	1
41	503 57 43-01	PLUG-WELCH		1	1
42	515 99 96-01	KIT		1	
43	574 29 79-01	HOUSING		1	
44	522 54 33-01	LINK		1	43
45	574 32 39-01	SHAFT		1	43
46	544 97 18-01	SPRING		1	43
47	501 02 19-01	BUSHING		1	43
48	501 02 20-01	BUSHING		1	43
49	503 51 55-01	SCREW		1	43
50	522 54 35-01	VALVE		1	43
51	537 00 34-01	SCREW		1	43

J 545 FX, 545 FXT, 545 RX, 545 RXT, 345 FR
CARBURETOR & AIRFILTER



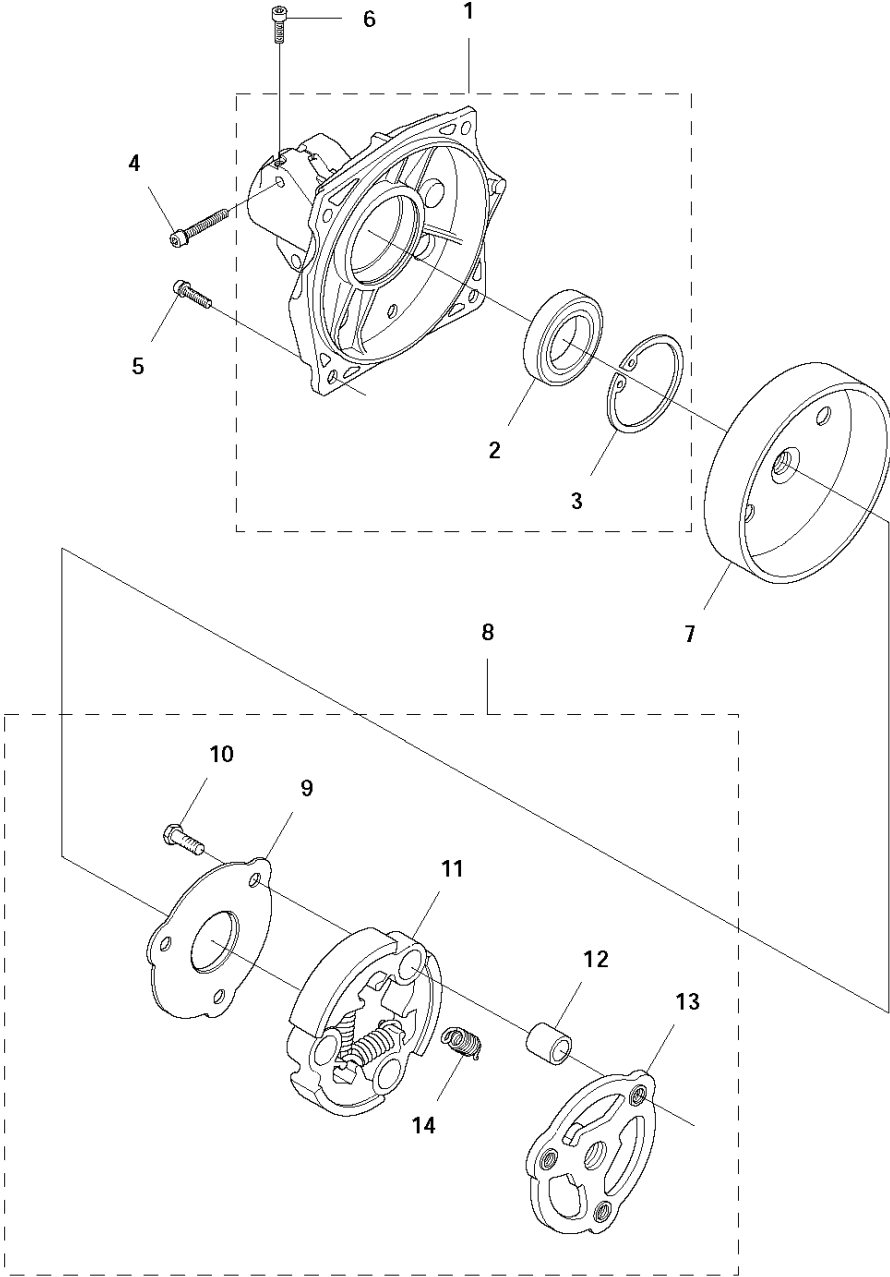
CARBURETOR & AIR FILTER

545 FX

Ref	Part no.	Description	Remark	Qty	Kit
1	503 20 07-76	SCREW IHSCFM		1	
2	525 28 92-01	INSULATION WALL		1	
3	575 23 95-01	GROMMET		1	
4	574 44 03-01	INLET PIPE		1	
5	503 20 25-16	SCREW IHSCM		4	
6	503 93 66-01	PRIMER HOUSING		1	
7	537 04 24-07	FUEL HOSE		1	
8	576 12 27-01	FRAME		1	
9	576 12 37-01	FRAME		1	
10	576 22 37-01	SEALING RING		1	
11	574 29 79-01	HOUSING		1	
12	522 54 33-01	LINK		1	
13	580 80 39-01	CARBURETTOR		1	
14	515 98 80-01	SUCTION HOSE		1	
15	523 05 68-01	FUEL HOSE		1	
16	574 85 12-01	SEALING		1	
17	523 04 48-01	FILTER HOLDER ASSY		1	
18	522 44 99-01	CHOKE CONTROL		1	
19	524 85 30-01	SPRING		1	
20	503 74 01-02	SNAP		3	
21	537 01 65-01	SUPPORT		1	
22	574 85 13-01	COVER PLATE		1	
23	503 20 07-74	SCREW IHSCFM		2	
24	537 31 60-01	SCREW IHSCFM		4	
25	503 26 32-04	O-RING		1	
26	576 46 62-01	AIR INLET		1	
27	576 47 58-01	AIR INLET		1	
28	576 47 59-01	LOCKING SPRING		1	
29	575 26 84-01	COVER LID ASSY		1	
30	503 21 29-10	SCREW CCRPANT		4	
31	510 18 97-01	FILTER COVER		1	
32	574 66 80-01	FILTER		1	
33	537 41 08-01	FILTER		1	
34	580 45 17-01	CLIP		1	

F 545 FX, 545 FXT, 545 RX, 545 RXT, 345 FR

CLUTCH

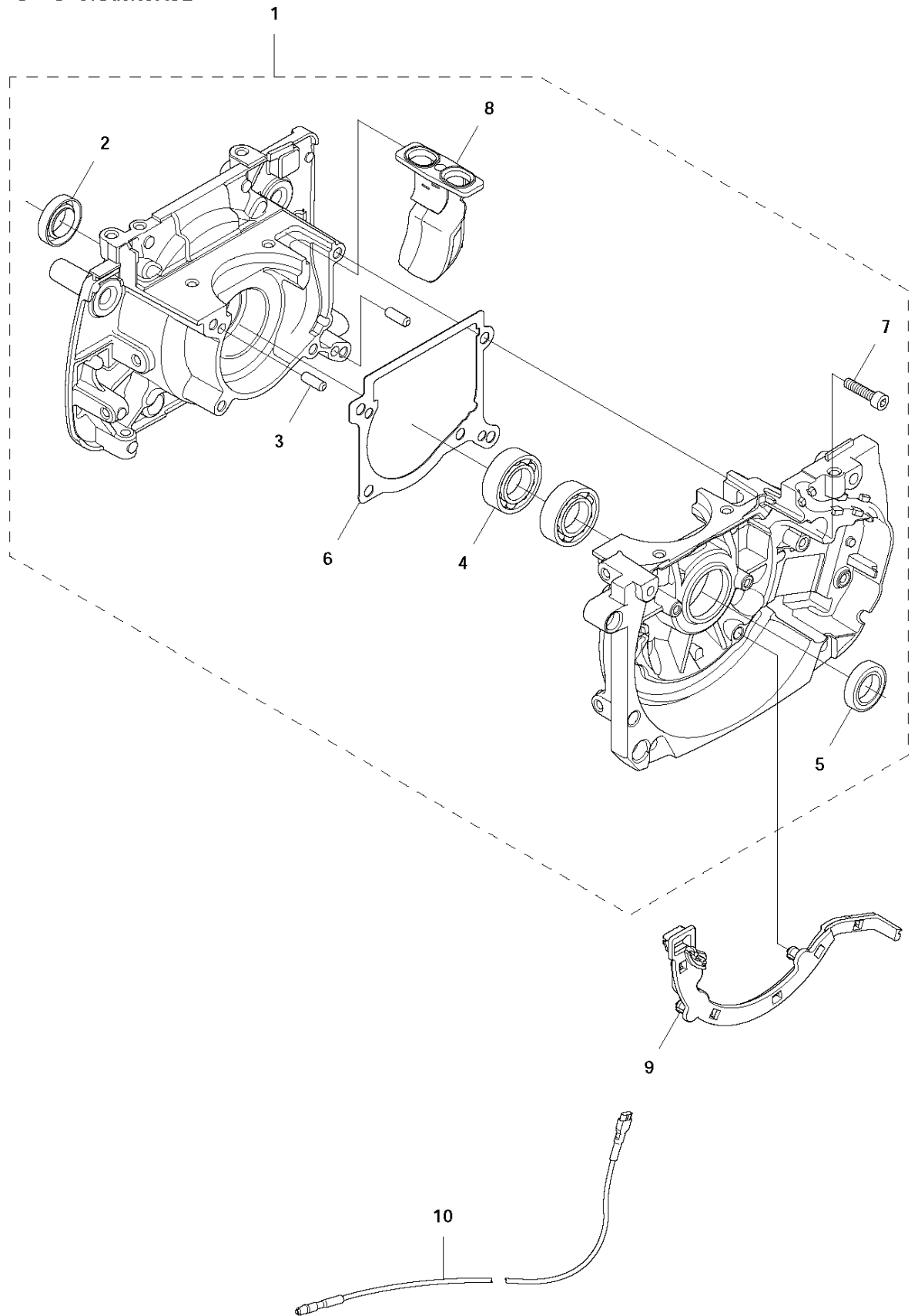


CLUTCH

545 FX

Ref	Part no.	Description	Remark	Qty	Kit
1	503 95 41-03	CLUTCH COVER		1	
2	738 22 02-19	BALL BEARING		1	1
3	735 31 33-10	CIRCLIP		1	1
4	503 20 02-30	SCREW IHSCFM		2	
5	503 20 02-20	SCREW IHSCFM		4	
6	503 20 20-01	SCREW IHSCM		1	
7	544 90 07-01	CLUTCH DRUM ASSY		1	
8	503 95 35-01	CLUTCH ASSY		1	
9	537 13 53-01	WASHER		1	8
10	503 20 18-18	SCREW EHHM		3	8
11	503 95 36-01	CLUTCH SHOE		3	8
12	537 13 54-01	BEARING BUSHING		3	8
13	503 95 37-01	CLUTCH HUB		1	8
14	505 43 53-01	CLUTCH SPRING		3	8

P1 545 FX, 545 FXT
CRANKCASE



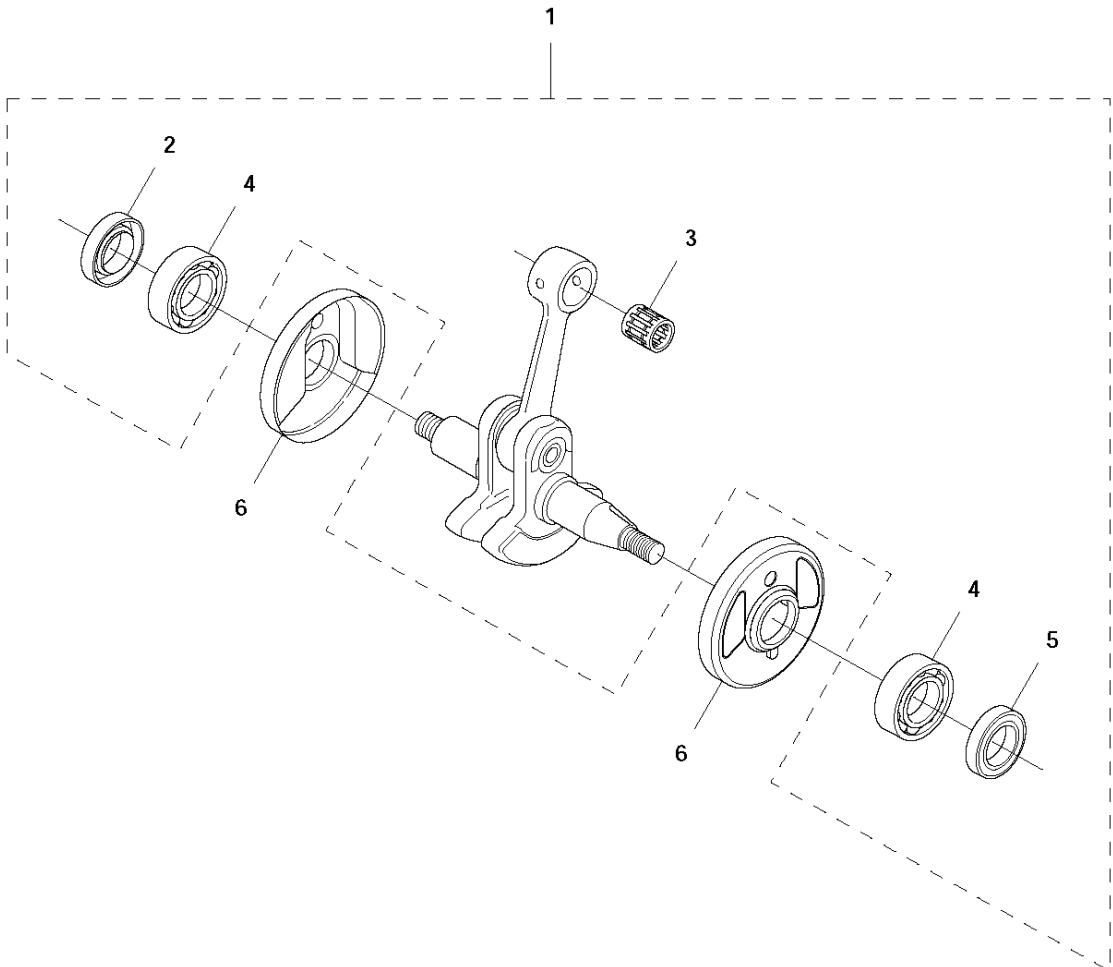
CRANKCASE

545 FX

Ref	Part no.	Description	Remark	Qty	Kit
1	585 47 02-01	CRANKCASE ASSY		1	
2	577 32 49-01	RADIAL SEAL		1	1
3	501 27 08-01	GUIDE BUSHING	s/n from 20132700001 -	2	1
3	720 13 07-10	PARALLEL PIN	s/n up to - 20132699999	2	
4	503 25 08-01	BEARING		2	1
5	505 27 57-19	SEALING RING		1	1
6	510 24 11-01	GASKET	s/n up to - 20132699999	1	
6	584 46 96-01	GASKET	s/n from 20132700001 -	1	1
7	725 53 33-55	SCREW IHSCM		5	1
8	510 37 60-01	WALL		1	1
9	510 17 99-01	CABLE HOLDER		1	
10	525 85 84-01	SHORT CIRCUIT CABLE		1	

N 545 FX, 545 FXT, 545 RX, 545 RXT, 345 FR

CRANK SHAFT

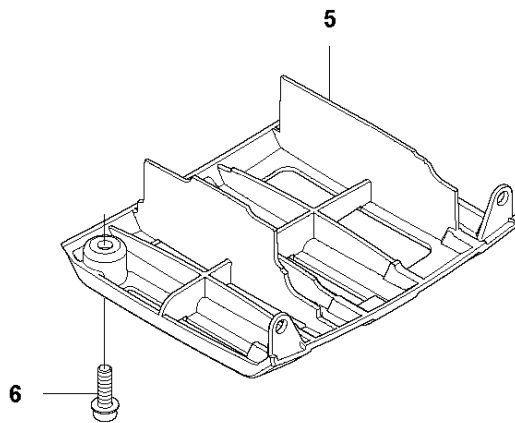
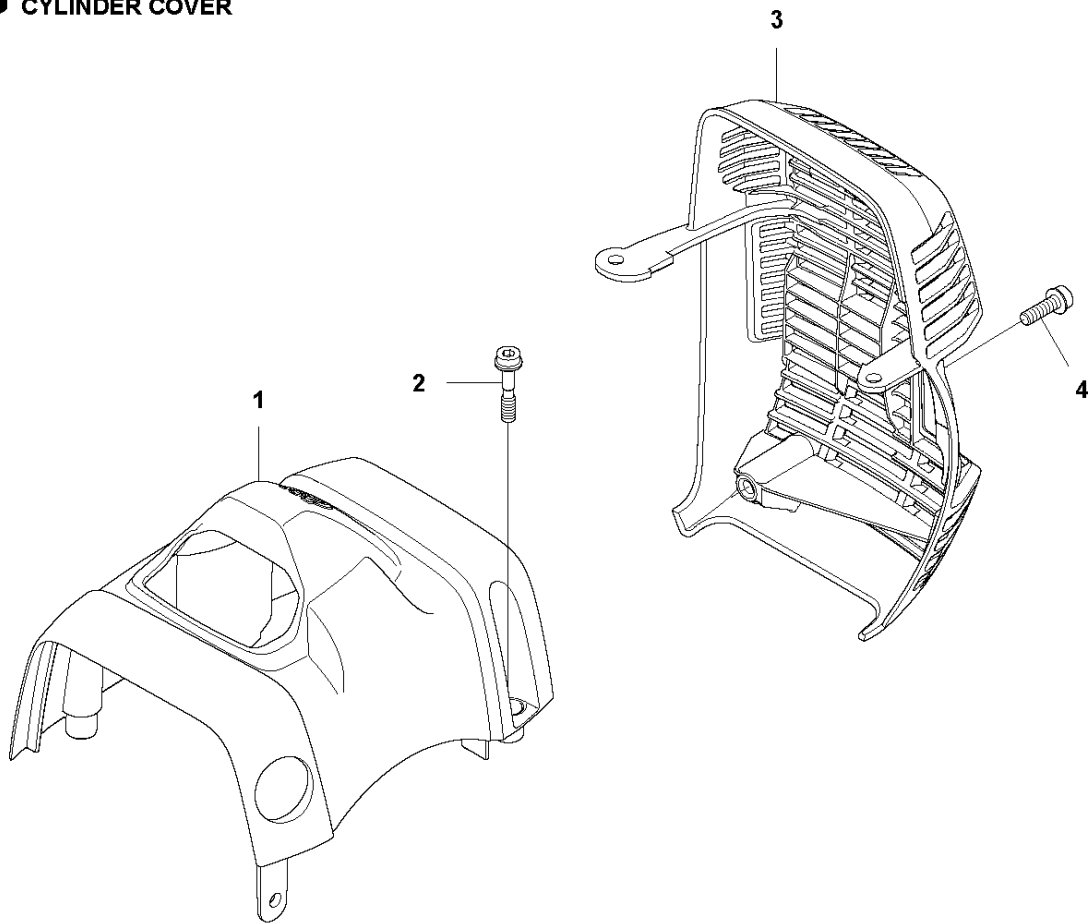


CRANKSHAFT

545 FX

Ref	Part no.	Description	Remark	Qty	Kit
1	577 27 48-01	CRANKSHAFT		1	
2	577 32 49-01	RADIAL SEAL		1	1
3	503 25 63-01	NEEDLE BEARING		1	1
4	503 25 08-01	BEARING		2	1
5	505 27 57-19	SEALING RING		1	1
6	537 15 85-01	CUP		2	

G 545 FX, 545 FXT, 545 RX, 545 RXT, 345 FR
CYLINDER COVER



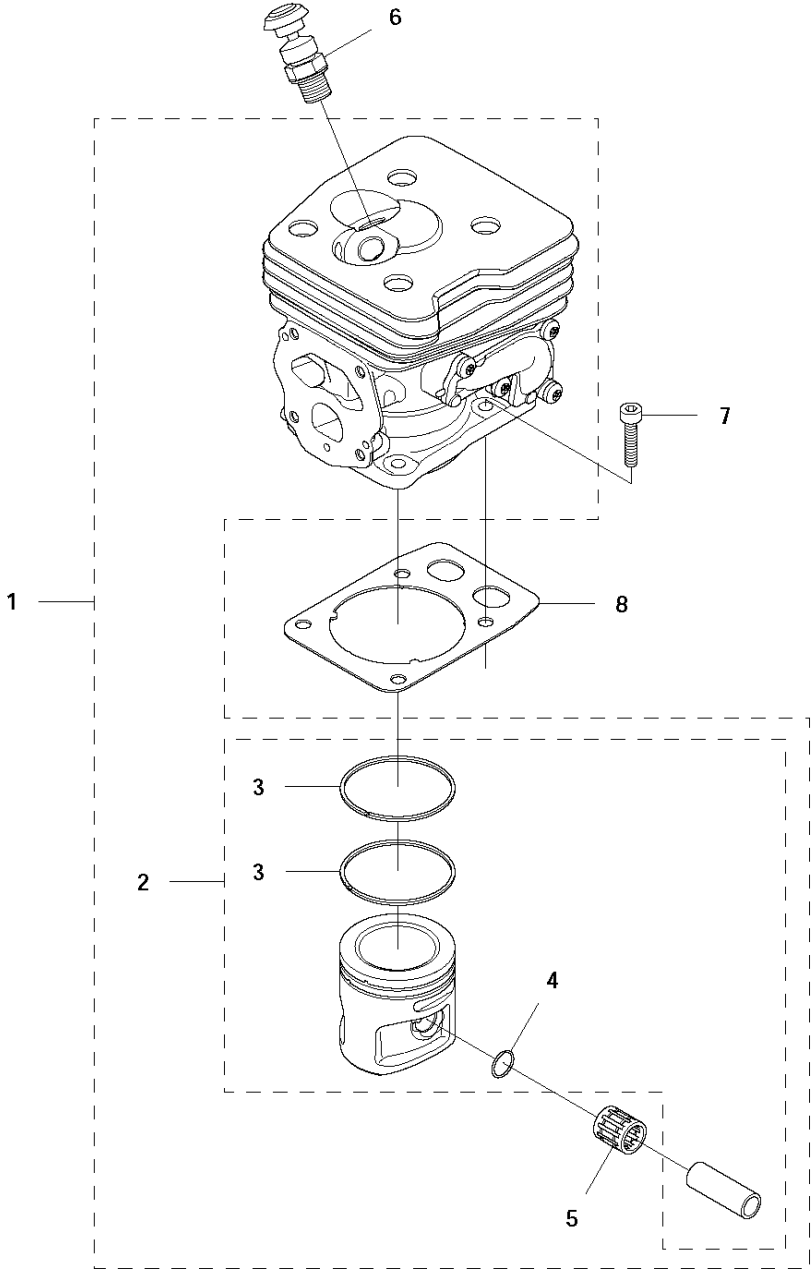
- 7 —
- 8 —
- 9 —
- 10 —
- 11 —

CYLINDER COVER

545 FX

Ref	Part no.	Description	Remark	Qty	Kit
1	510 04 75-01	CYLINDER COVER		1	
2	573 99 43-04	SCREW IHSCFMO	Captive Screw	3	
3	576 92 00-01	HEAT PROTECTOR		1	
4	503 20 07-74	SCREW IHSCFM		1	
5	579 33 00-01	PROTECTIVE COVER		1	
6	503 20 07-74	SCREW IHSCFM		2	
7	576 99 86-01	LABEL	FX	1	
8	576 99 86-02	LABEL	FXT	1	
9	576 99 86-03	LABEL	RXT	1	
10	576 99 86-04	LABEL	RX	1	
11	576 99 86-05	LABEL	FR	1	

M 545 FX, 545 FXT, 545 RX, 545 RXT, 345 FR
CYLINDER & PISTON

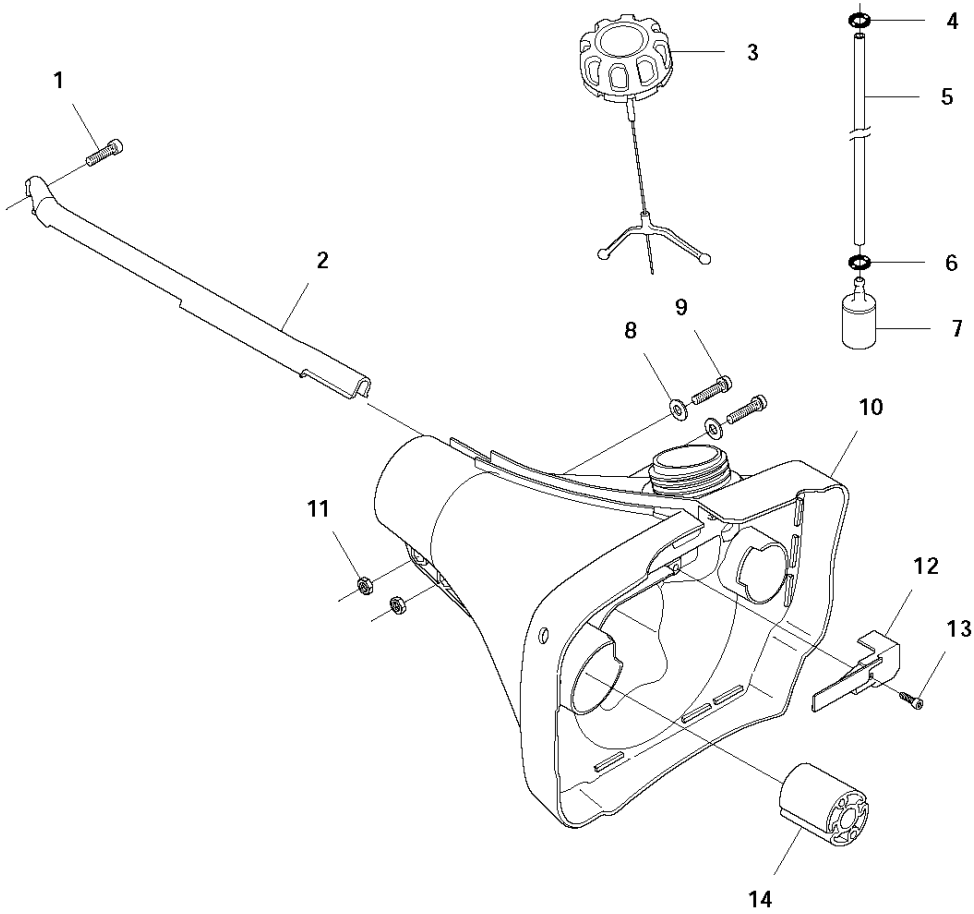


CYLINDER PISTON

545 FX

Ref	Part no.	Description	Remark	Qty	Kit
1	577 27 49-01	CYLINDER	s/n up to - 20122300180	1	
1	577 27 49-02	CYLINDER	s/n from 20122300181 -	1	
2	522 62 63-02	PISTON ASSY	s/n up to - 20122300180	1	1
2	522 62 63-04	PISTON ASSY	s/n from 20122300181 -	1	1
3	522 62 65-01	PISTON RING		2	1, 2
4	737 44 10-00	SNAP RING		2	1, 2
5	503 25 63-01	NEEDLE BEARING		1	1
6	544 20 00-01	DECOMPRESSION VALVE		1	
7	725 53 31-55	SCREW IHSCM		4	
8	521 90 81-01	GASKET		1	

E 545FX, 545 FXT, 545 RX, 545 RXT, 345 FR
FUEL TANK

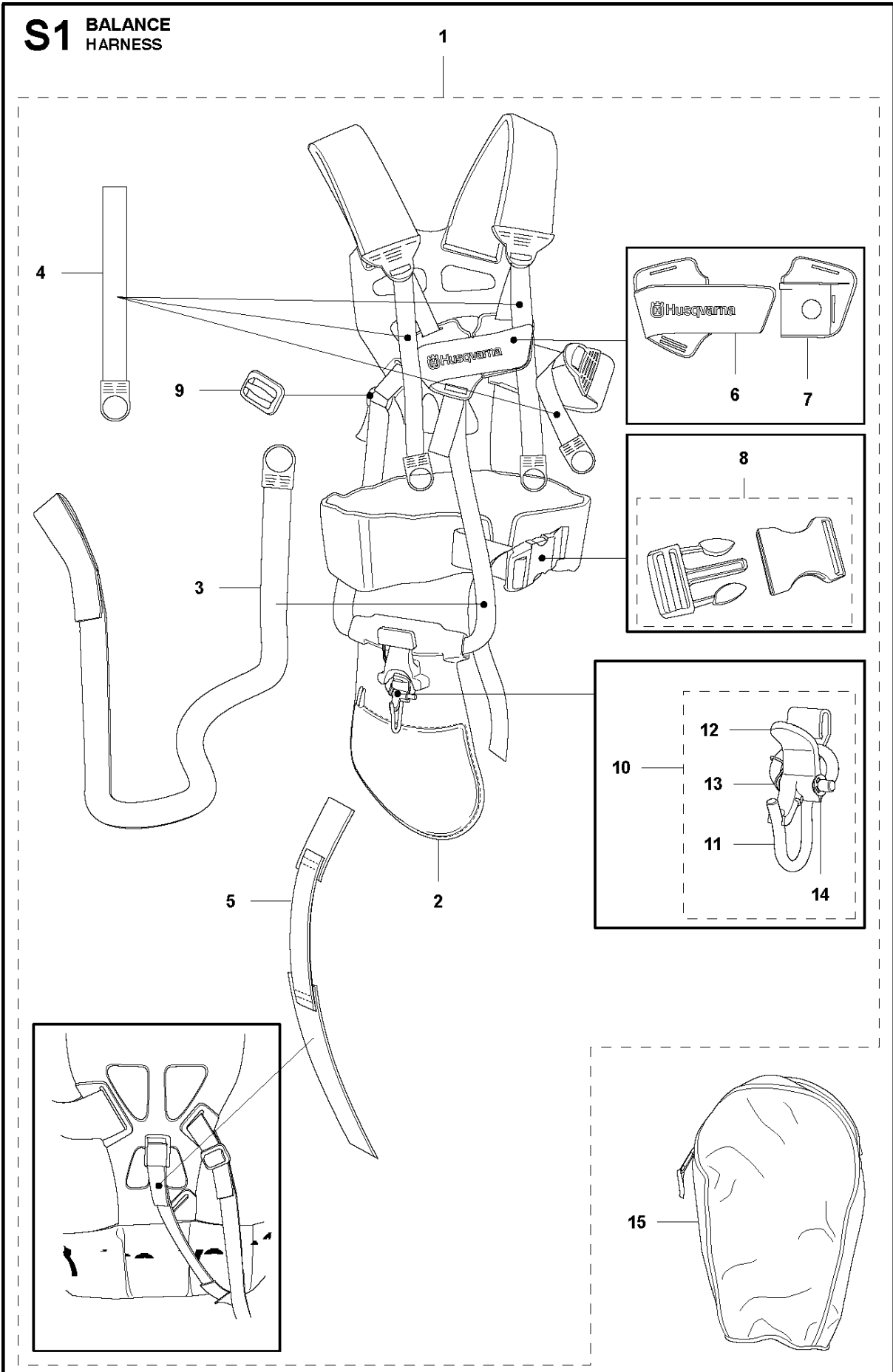


FUEL TANK

545 FX

Ref	Part no.	Description	Remark	Qty	Kit
1	503 20 02-16	SCREW IHSCFM		1	
2	537 17 25-02	COVER		1	
2	537 17 25-01	COVER		1	
3	544 07 69-02	TANK CAP		1	
4	537 18 49-01	O-RING		1	
5	544 32 49-32	FUEL HOSE		1	
6	537 18 49-01	O-RING		1	
7	503 44 32-01	FILTER		1	
8	503 23 00-11	WASHER		2	
9	503 20 02-16	SCREW IHSCFM		2	
10	503 94 93-01	FUEL TANK		1	
11	503 22 10-12	HEXAGON NUT		2	
12	537 21 99-01	HOSE GUARD		1	
13	503 21 71-16	SCREW IHST		1	
14	510 20 87-01	ANTIVIBRATION ELEMENT		2	

S1 BALANCE HARNESS

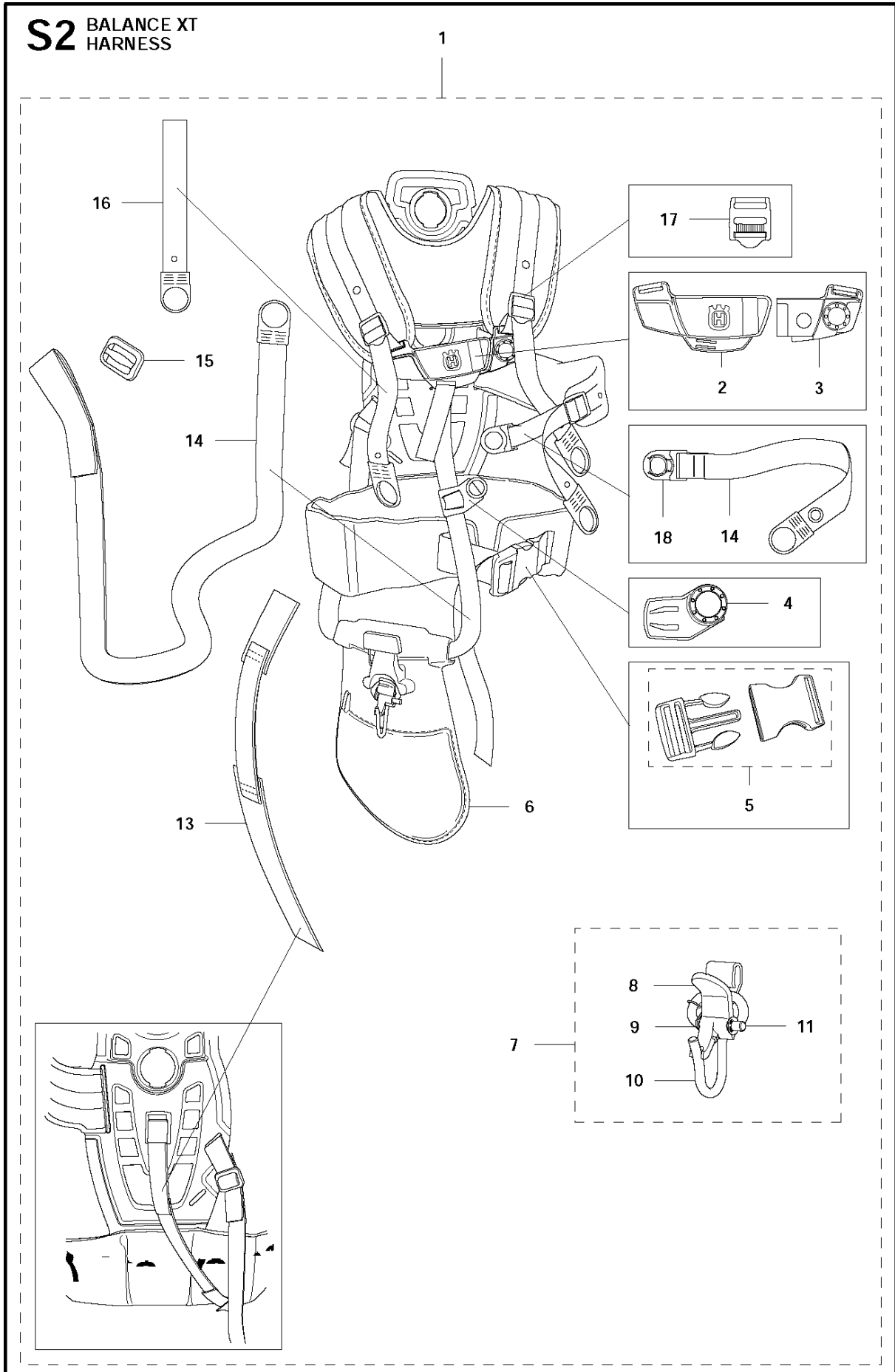


HARNES

545 FX

Ref	Part no.	Description	Remark	Qty	Kit
1	504 04 52-01	HARNES		1	
1	505 40 62-01	HARNES	US	1	1
2	544 90 17-01	HIP PAD		1	1
3	503 99 61-03	BAND		1	1
4	503 99 61-01	BAND		3	1
5	537 15 35-01	STRAP		1	1
6	537 28 84-01	FRONT PIECE		1	1
7	537 28 83-01	FRONT PIECE		1	1
8	537 33 15-01	BUCKLE		1	1
9	537 11 35-01	RETAINER		1	1
10	544 96 07-02	WELT HOOK		1	1
11	502 02 29-02	HOOK		1	1, 10
12	502 02 30-02	LOCK		1	1, 10
13	502 02 38-01	SPRING		1	1, 10
14	735 31 09-20	E-CLIP		1	1, 10
15	537 30 66-01	BAG	Triobalance Tool bag	1	

S2 BALANCE XT
HARNESS

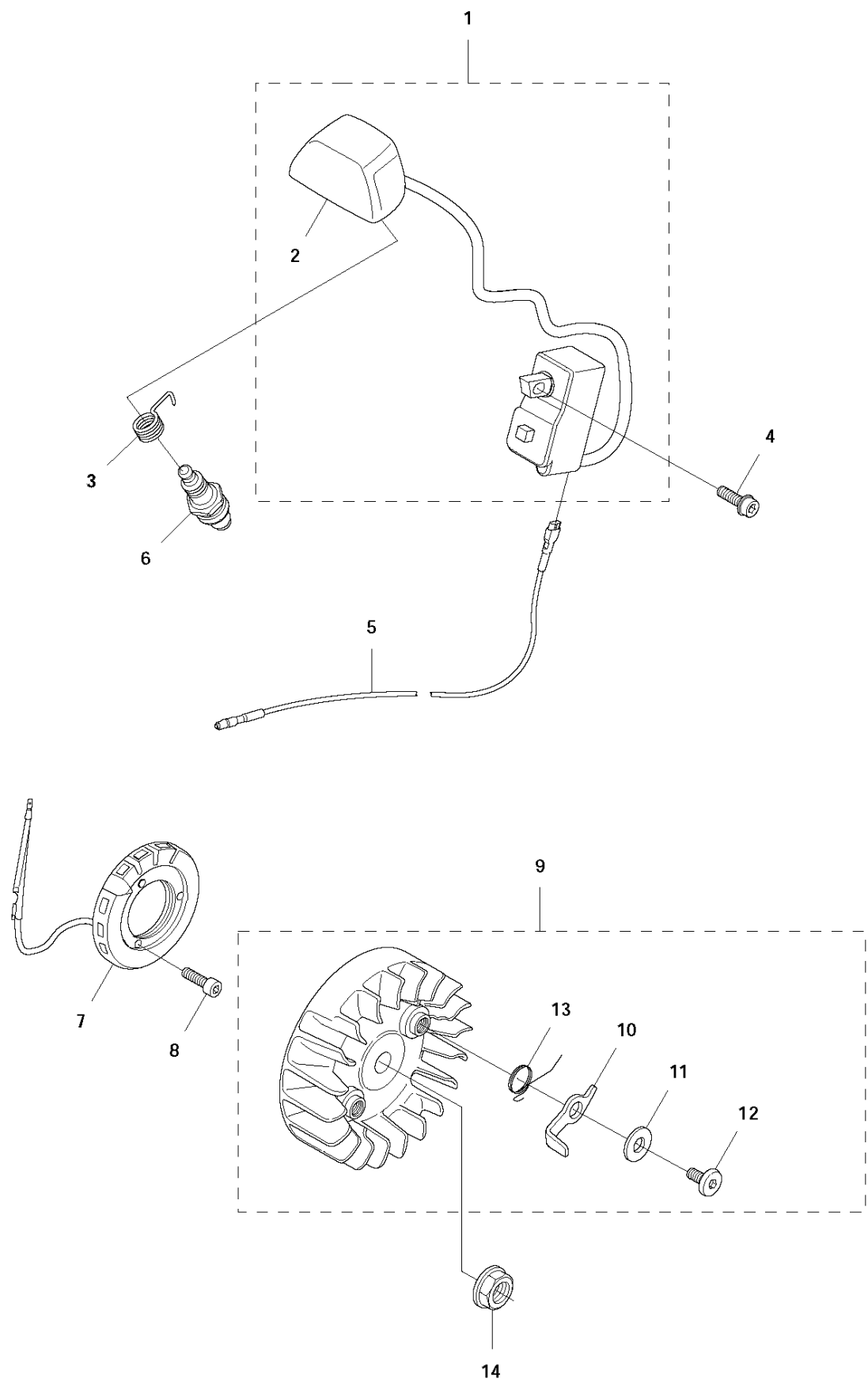


HARNESS

545 FX

Ref	Part no.	Description	Remark	Qty	Kit
1	505 20 42-01	HARNESS		1	
2	504 54 52-01	FRONT PIECE	US	1	1
3	504 54 51-01	FRONT PIECE		3	1
4	504 63 75-01	SNAP LOCKING		1	1
5	537 33 15-01	BUCKLE		1	1
6	544 90 17-01	HIP PAD		1	1
7	544 96 07-02	WELT HOOK		1	1
8	502 02 30-02	LOCK		1	1, 7
9	502 02 38-01	SPRING		1	1, 7
10	502 02 29-02	HOOK		1	1, 7
11	735 31 09-20	E-CLIP		1	1, 7
13	537 15 35-01	STRAP		1	1
14	503 99 61-04	BAND		1	1
15	537 11 35-01	RETAINER		1	1
16	503 99 61-07	BAND		1	
17	505 44 46-01	BUCKLE		1	
18	504 63 74-01	SNAP LOCKING		1	

L 545 FX, 545 FXT, 545 RX, 545 RXT, 345 FR
IGNITION SYSTEM

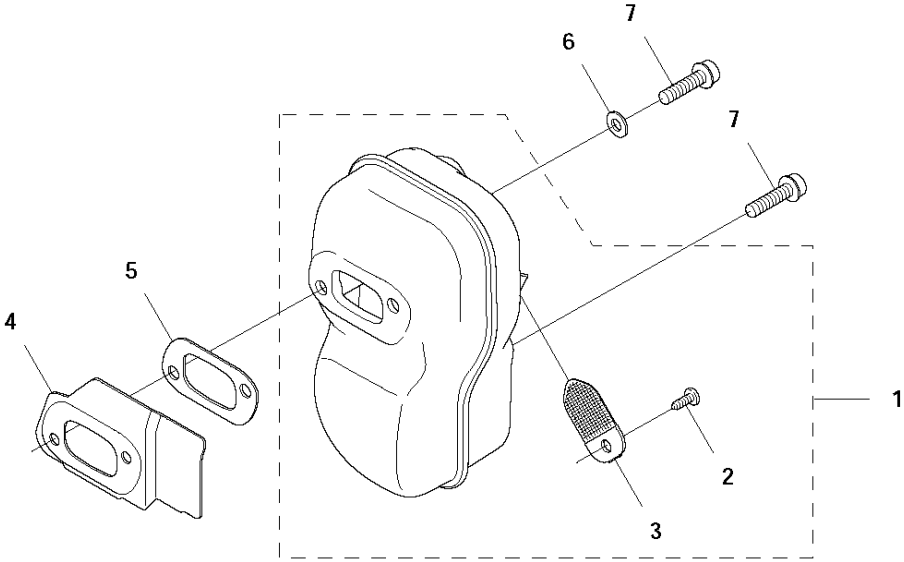


IGNITION SYSTEM

545 FX

Ref	Part no.	Description	Remark	Qty	Kit
1	525 85 00-01	IGNITION MODULE	FR, RX, RXT	1	
1	525 85 00-02	IGNITION MODULE	FX, FXT, s/n up to - 20122300180	1	
1	525 85 00-03	IGNITION MODULE	FX, FXT, s/n from 20122300181 -	1	
2	537 23 73-01	SPARK PLUG CAP		1	1
3	501 48 56-01	CONTACT SPRING		1	
4	503 20 07-74	SCREW IHSCFM		2	
5	525 85 84-01	SHORT CIRCUIT CABLE		1	
6	574 51 96-01	SPARK PLUG	NGK CMR6H	1	
7	537 25 63-01	GENERATOR STATOR		1	
8	503 21 66-18	SCREW IHSCCT		2	
9	503 95 33-01	FLYWHEEL		1	
9	503 95 33-02	FLYWHEEL		1	
10	503 81 24-01	STARTER PAWL		2	9
11	503 23 00-42	WASHER		2	9
12	501 81 99-03	SCREW		2	9
13	503 81 29-01	SPRING		2	9
14	503 22 04-01	NUT		1	

H1 545 FX, 545 FXT, 545 RX, 545 RXT, 345 FR
MUFFLER, FF

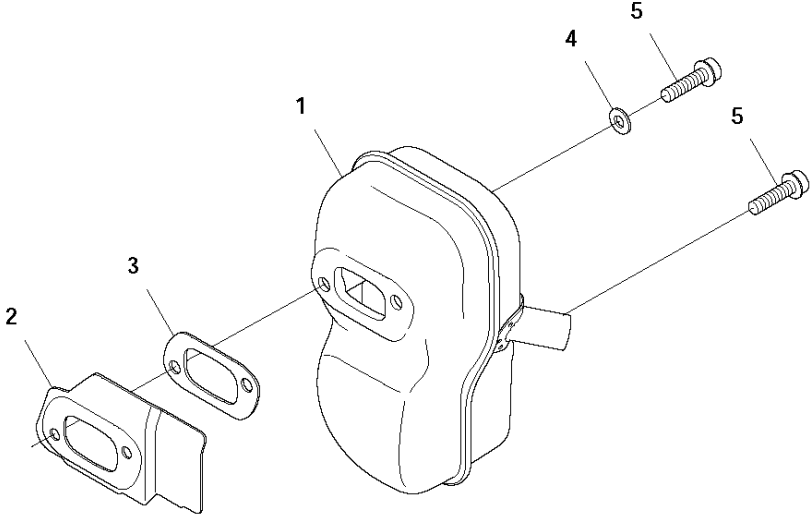


MUFFLER

545 FX

Ref	Part no.	Description	Remark	Qty	Kit
1	522 60 98-01	MUFFLER ASSY	CAT	1	
2	724 12 87-59	SCREW CRPANM		1	1
3	522 60 95-01	SPARK ARRESTOR SCREEN		1	1
4	522 93 87-01	HEAT DEFLECTOR		1	
5	522 95 44-01	GASKET		1	
6	503 23 04-02	WASHER		1	
7	503 20 07-76	SCREW IHSCFM		3	

H2 545 FX, 545 FXT, 545 RX, 545 RXT, 345 FR
MUFFLER, PIPE

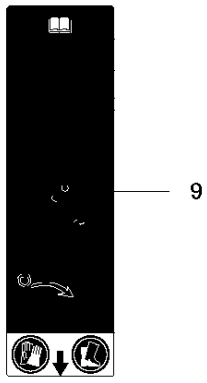
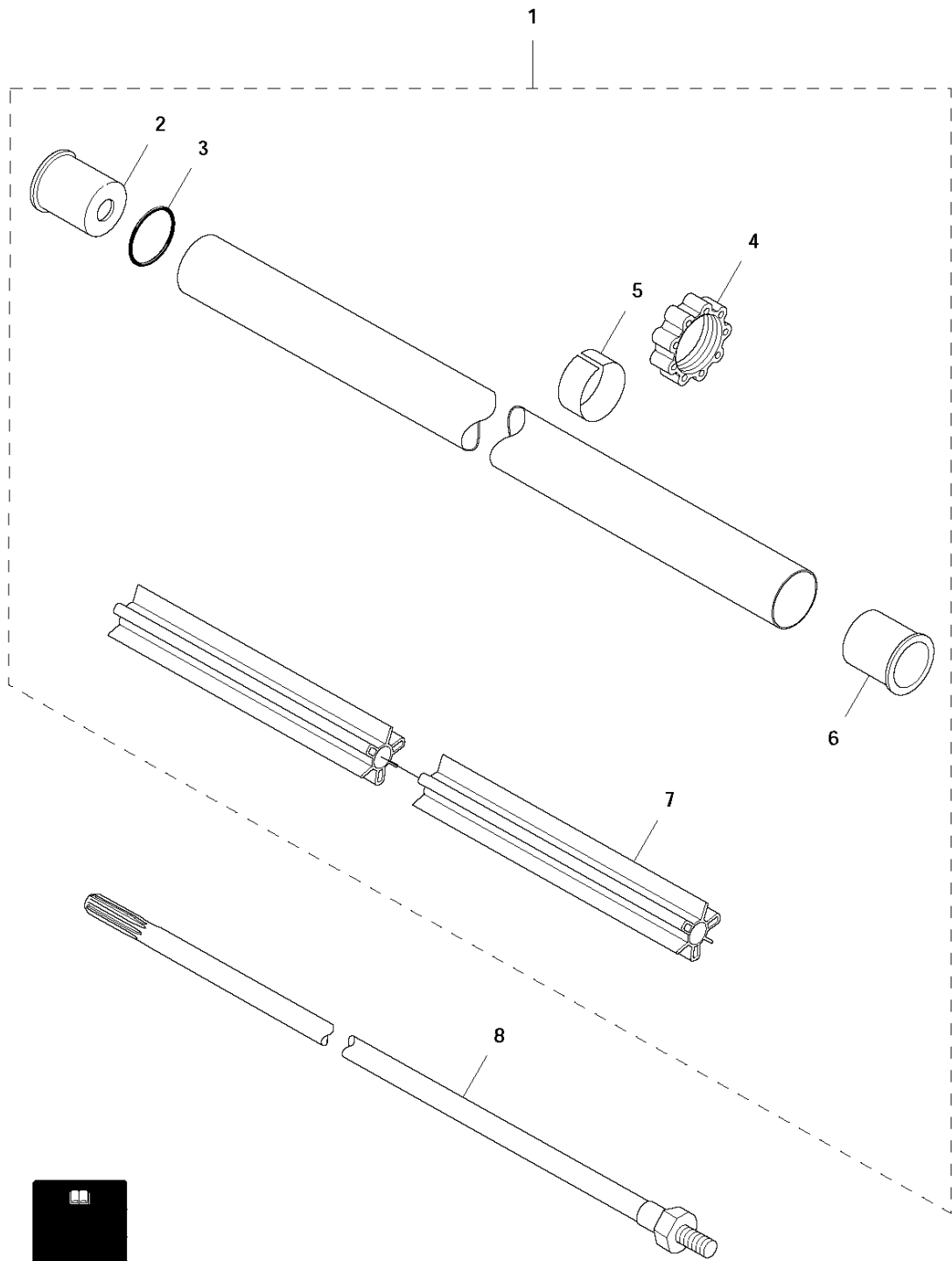


MUFFLER

545 FX

Ref	Part no.	Description	Remark	Qty	Kit
1	522 80 12-01	MUFFLER ASSY		1	
2	522 93 87-01	HEAT DEFLECTOR		1	
3	522 95 44-01	GASKET		1	
4	503 23 04-02	WASHER		1	
5	503 20 07-76	SCREW IHSCFM		3	

B 545 FX, 545 FXT, 545 RX, 545 RXT, 345FR
SHAFT



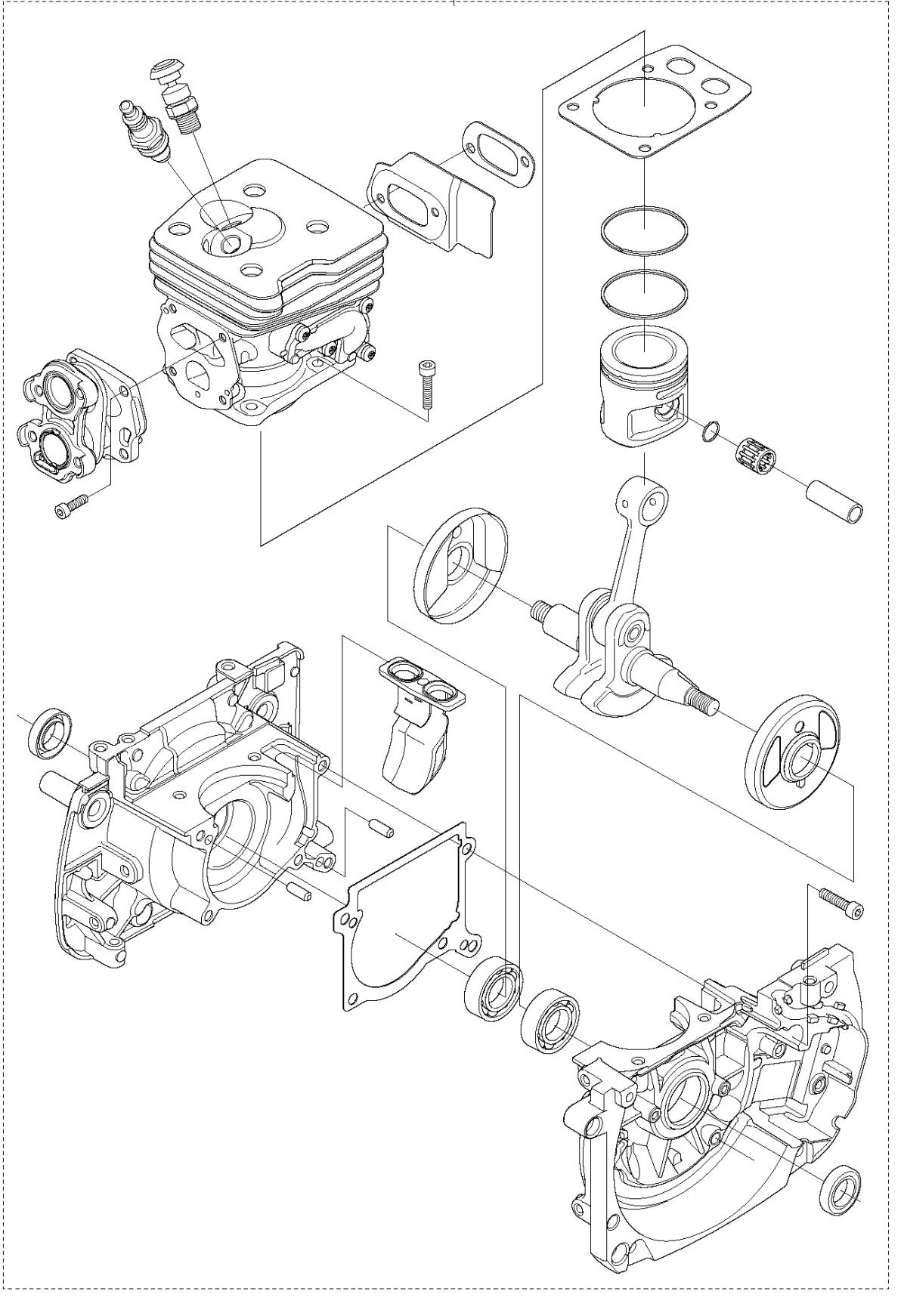
SHAFT

545 FX

Ref	Part no.	Description	Remark	Qty	Kit
1	577 26 21-02	TUBE ASSY	FX, FXT	1	
1	577 26 21-04	TUBE ASSY	RX	1	
1	577 26 21-06	TUBE ASSY	FR	1	
2	544 02 94-01	SPACER		1	1
3	506 11 03-01	O-RING		1	1
4	537 30 98-01	ANTIVIBRATION ELEMENT		1	1
5	537 30 97-01	TAPE		1	1
6	544 02 94-01	SPACER	FR, FX, FXT	1	1
7	523 01 88-01	BEARING SHAFT	FX, FXT, RX	1	1
7	523 01 88-03	BEARING SHAFT	FR	1	1
8	503 95 54-01	DRIVE SHAFT	FX, FXT	1	
8	503 95 54-02	DRIVE SHAFT	RX	1	
8	503 92 44-01	DRIVE SHAFT	FX, FXT	1	
8	503 92 44-02	DRIVE SHAFT	RX	1	
8	503 92 44-03	DRIVE SHAFT	FR	1	
9	537 29 47-07	LABEL		1	
9	537 29 47-03	LABEL	US, CAN	1	

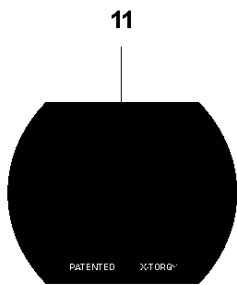
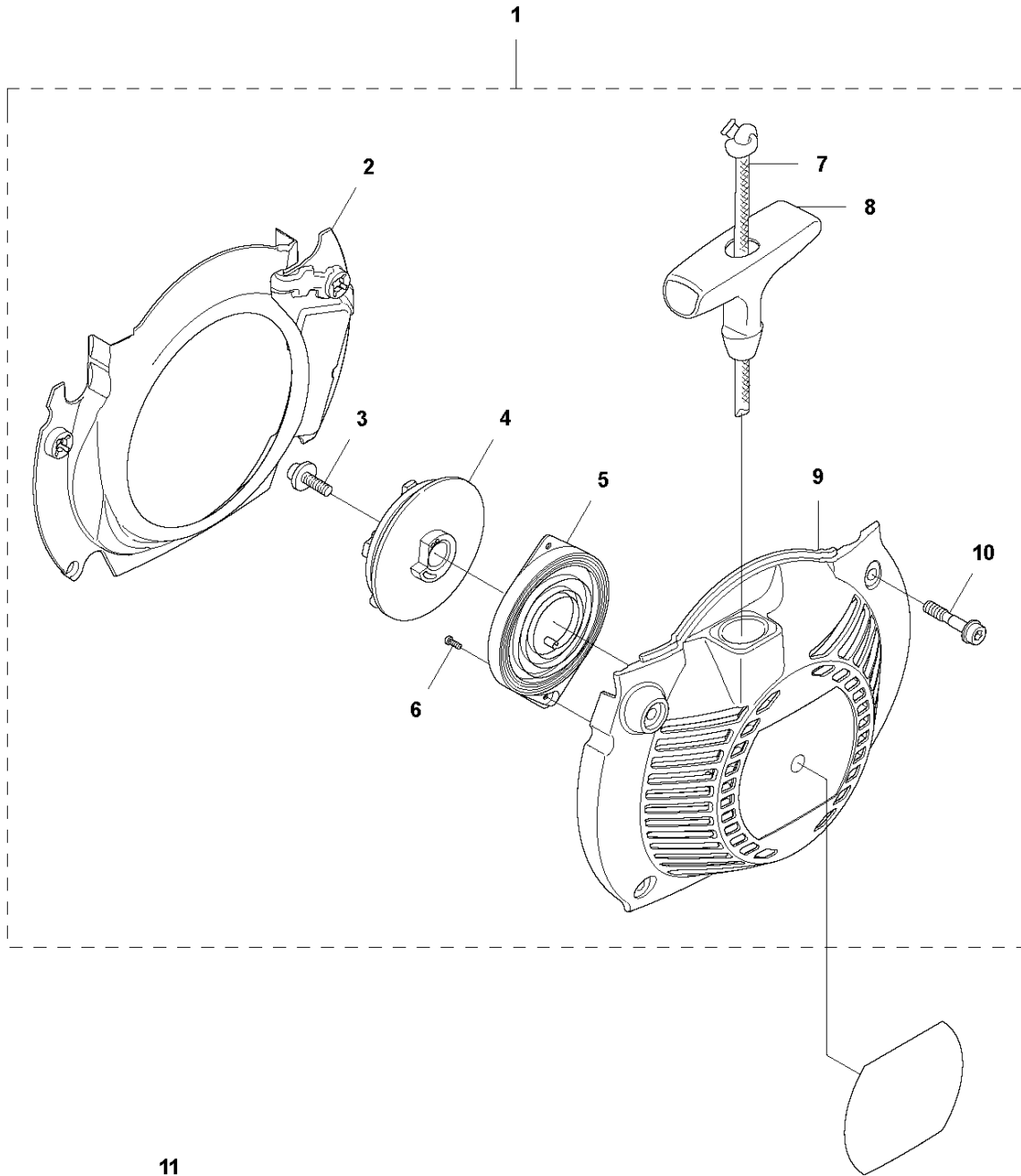
T 545 FX, 545 FXT, 545 RX, 545 RXT, 345FR
SHORT BLOCK

1



Ref	Part no.	Description	Remark	Qty	Kit
1	585 45 15-01	CRANKCASE SYSTEM	s/n up to - 20122300180	1	
1	585 45 15-02	CRANKCASE SYSTEM	s/n from 20122300181 -	1	

K 545 FX, 545 FXT, 545 RX, 545 RXT, 345 FR
STARTER

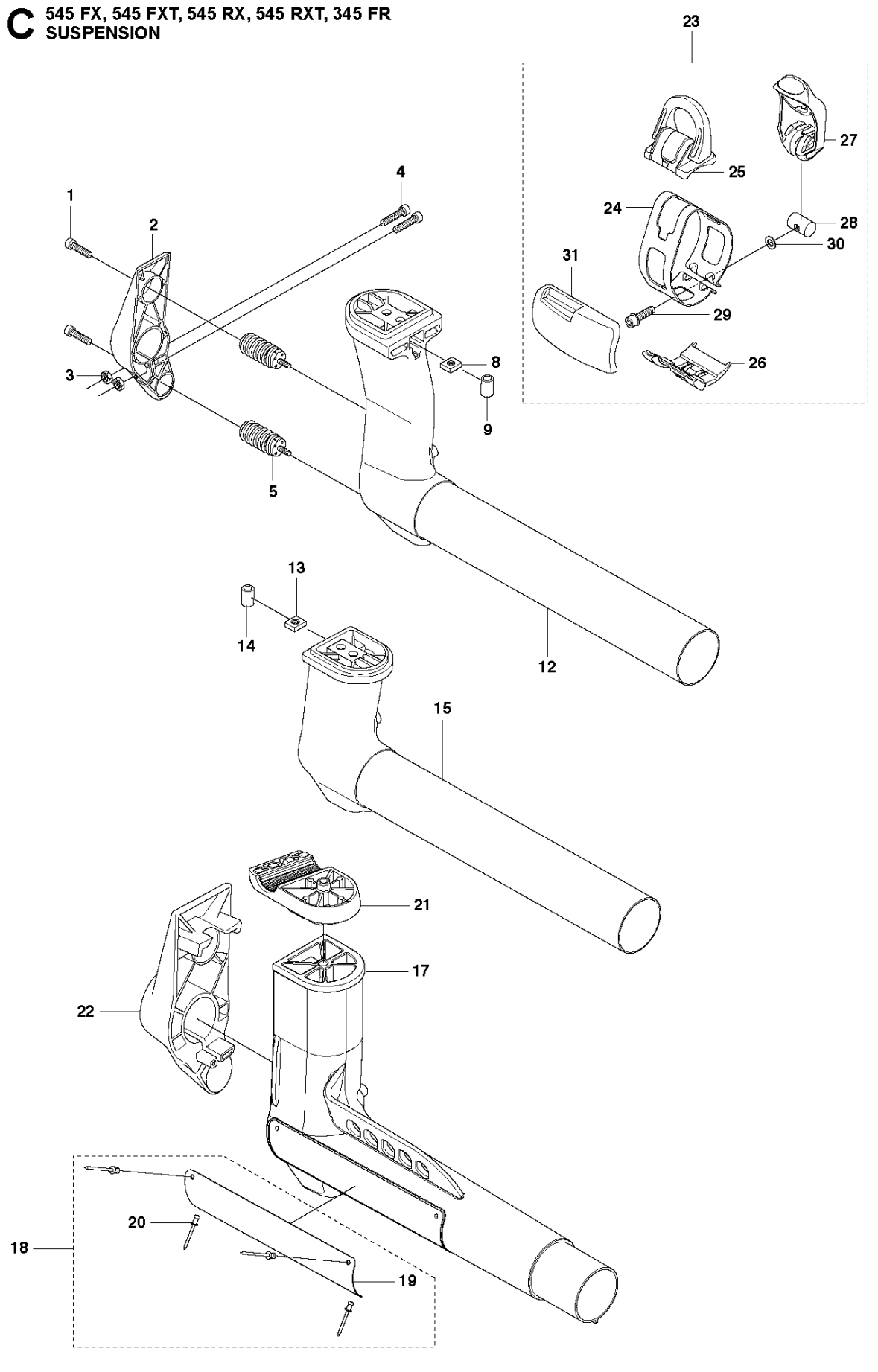


STARTER

545 FX

Ref	Part no.	Description	Remark	Qty	Kit
1	573 96 08-01	STARTER		1	
2	510 20 50-01	COOLING AIR CONDUCTOR		1	1
3	503 21 69-16	SCREW IHSC T		1	1
4	503 95 73-01	STARTER PULLEY		1	1
5	502 20 06-01	SPRING CASSETTE ASSY		1	1
6	503 21 29-10	SCREW CCRPANT		2	1
7	505 30 51-25	STARTER CORD		1	1
8	537 23 25-01	STARTER HANDLE		1	1
9	523 34 30-01	STARTER HOUSING		1	1
10	573 99 43-04	SCREW IHSCFMO	Captive Screw	4	1
11	576 46 81-01	LABEL		1	

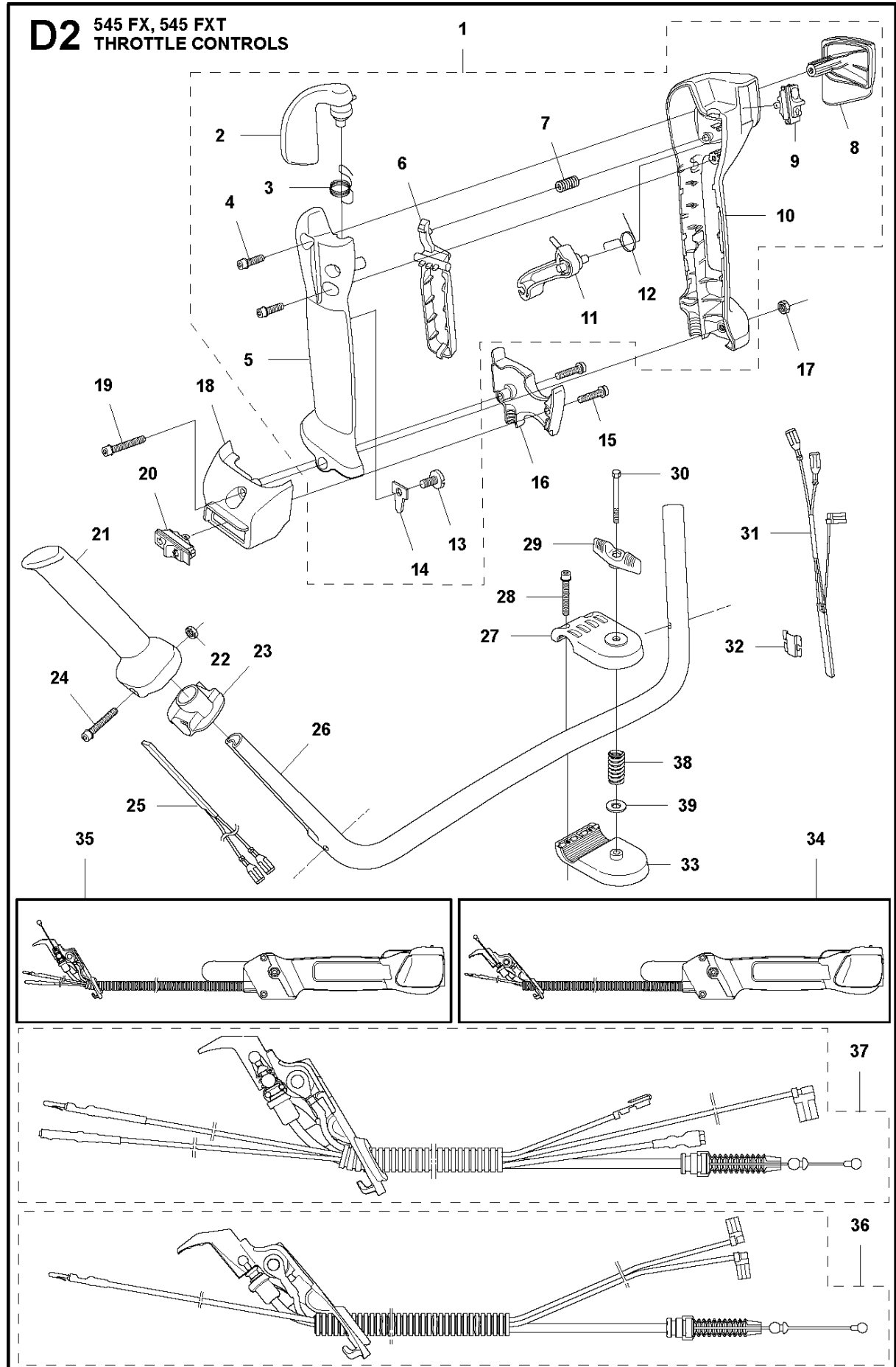
C 545 FX, 545 FXT, 545 RX, 545 RXT, 345 FR
SUSPENSION



SUSPENSION

545 FX

Ref	Part no.	Description	Remark	Qty	Kit
1	503 20 02-16	SCREW IHSCFM		2	
2	503 95 53-04	HOLDER ANTIVIBRATION		1	
3	503 22 10-12	HEXAGON NUT		2	
4	503 20 02-25	SCREW IHSCFM		2	
5	537 29 97-01	ANTIVIBRATION ELEMENT		2	
8	502 19 71-01	SQUARE NUT		1	
9	503 85 73-02	COVER		1	
12	537 19 89-05	SUSPENSION	R, Rx, Magnesium	1	
13	502 19 71-01	SQUARE NUT		1	
14	503 85 73-02	COVER		1	
15	503 95 59-06	SUSPENSION	F, Fx, FxT, FR, Magnesium	1	
17	515 97 98-01	SUSPENSION	R, Composit	1	
18	577 22 47-01	WEAR PROTECTION	R	1	
19	576 63 00-01	WEAR PROTECTION	R	1	18
20	722 78 18-02	BLIND RIVET	R	1	18
21	502 43 36-01	HANDLEBAR BRACKET	R	4	
22	502 43 35-01	HOLDER ANTIVIBRATION	R	1	
23	577 37 57-01	LOOP ASSY		1	
24	537 19 79-01	BAND		1	23
25	537 20 18-03	LOOP		1	23
26	577 29 93-01	GUIDE RAIL		1	23
27	577 20 83-01	LEVER		1	23
28	537 42 73-01	NUT		1	23
29	503 20 07-25	SCREW IHSCFM		1	23
30	503 23 00-11	WASHER		1	23
31	544 25 07-01	WEAR PROTECTION		1	



THROTTLE CONTROLS

545 FX

Ref	Part no.	Description	Remark	Qty	Kit
1	537 19 72-13	THROTTLE HANDLE		1	34, 35
2	537 26 34-01	THROTTLE TRIGGER		1	1, 34, 35
3	537 28 37-01	SPRING THROTTLE TRIG		1	1, 34, 35
4	503 21 75-20	SCREW IHSCFT		2	1, 34, 35
5	537 15 53-01	HANDLE HALF LEFT		1	1, 34, 35
6	537 15 56-01	THROTTLE LOCKOUT		1	1, 34, 35
7	537 19 97-01	SPRING		1	1, 34, 35
8	537 18 24-01	COVER		1	1, 34, 35
9	537 41 90-01	SWITCH		1	1, 34, 35
10	537 15 52-01	HANDLE HALF RIGHT		1	1, 34, 35
11	537 26 35-01	THROTTLE LEVER		1	1, 34, 35
12	537 34 27-01	SPRING		1	1, 34, 35
13	503 21 70-10	SCREW CCRPANT		1	1, 34, 35
14	537 25 11-01	SECURING PLATE		1	1, 34, 35
15	503 21 71-20	SCREW IHSCFT	FXT	2	35
16	537 20 16-01	RETAINER	FXT	1	35
17	731 23 14-05	HEXAGON NUT		1	
18	537 20 15-01	RETAINER	FXT	1	35
19	503 20 02-35	SCREW IHSCFM		1	
19	503 20 02-45	SCREW IHSCFM	FXT	1	35
20	503 71 82-02	SWITCH	FXT	1	35
21	537 17 28-05	HANDLE		1	
22	731 23 14-05	HEXAGON NUT		1	
23	537 17 29-02	BRACKET		1	
24	503 20 02-45	SCREW IHSCFM		1	
25	537 22 72-01	ELEMENT	FXT	1	35
26	503 95 86-01	HANDLEBAR		1	
26	503 95 86-02	HANDLEBAR		1	
27	537 12 90-01	HANDLEBAR BRACKET		1	
28	503 20 02-25	SCREW IHSCFM		2	
29	502 20 38-01	KNOB		1	
30	725 23 82-85	SCREW EHHM		1	
31	537 22 71-01	ELEMENT	FXT	1	35
32	537 26 51-01	SECURING PLATE	FXT	2	35
33	537 12 91-01	HANDLEBAR BRACKET		1	
34	577 00 03-01	THROTTLE HANDLE ASSY	FX	1	
35	577 00 03-02	THROTTLE HANDLE ASSY	FXT	1	
36	525 43 75-01	WIRING ASSY	FX	1	34
37	525 43 75-02	WIRING ASSY	FXT	1	35
38	537 04 83-01	CLUTCH SPRING		1	
39	502 28 21-01	WASHER		1	

Illustrated Parts List - IPL Update



Product Name(s)

545FX

Description of change

New crankcase spare part kits are introduced. One of kits contains the complete crankcase and will replace the ones that are used presently. Two short blocks is also introduced, one for the forest versions and one for the grass versions.

	Serial number / Date	Remark
Introduced from	20132700001	

Page Title	Ref. no	New part no	Name	Excl. part no.	Remark
CRANKCASE	1	585 47 02-01	CRANKCASE	577 27 47-01/-02	
CRANKCASE	3	501 27 08-01	GUIDE BUSHING	720 13 07-10	
CRANKCASE	6	584 46 96-01	GASKET	510 24 11-01	
SHORT BLOCK	1	585 45 15-01	CRANKCASE SYSTEM	581 95 78-01	Grass versions
SHORT BLOCK	1	585 45 15-02	CRANKCASE SYSTEM	581 95 78-01	Forest version

Comments

--